

Air Release Valve

The Air Release Valve acts as a controlled venting solution for piping systems. By automatically releasing air out of a piping system, the Air Release Valve reduces the potential for water hammer incidents that may occur due to pressure building up from air that has been trapped in the system.



The Air Release Valve is ideal for pump and filtration stations, as well as along force mains. Always install at the highest point in a piping system.

PDCPD



**Available in
the near future**

Nominal Size: 1" & 3"
End Connector: Threaded & Flanged
Working Pressure Range: 0.7 psi - 185 psi
Max Discharge Capacity:
1":185CFM @1.42psi Differential Pressure
3":1,250CFM @1.42psi Differential Pressure
Weight: 6.5Lbs (1"), 15Lbs (3")

The new Air Release Valve features an on/off isolation valve and a unique ball stop that prevents liquids from escaping while allowing air to be released. Weighing one third less than cast iron, the new, easy-to-install Air Release Valve is made from corrosion-resistant, durable plastic.

35 Green Street, P.O. Box 653, Malden, MA 02148 • Tel: 800-343-3618 • 781-321-5409 • Fax: 800-426-7058 • E-mail: asahi@asahi-america.com
Register at our interactive web site for on line ordering, product availability, order tracking, and many useful features: www.asahi-america.com

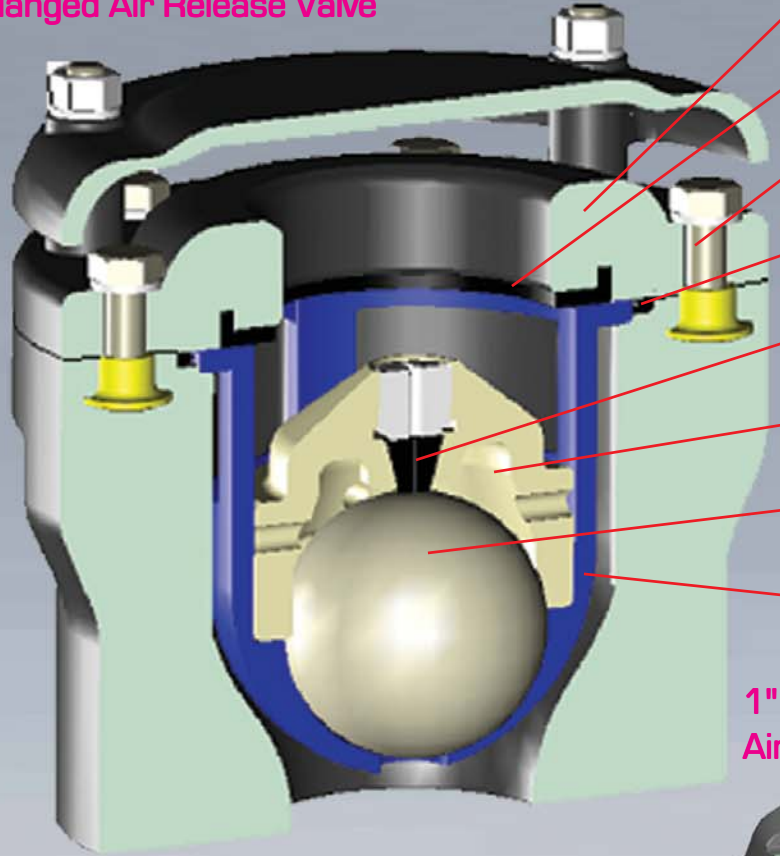
ASAHI/AMERICA

Rev. B 09-04

New Product

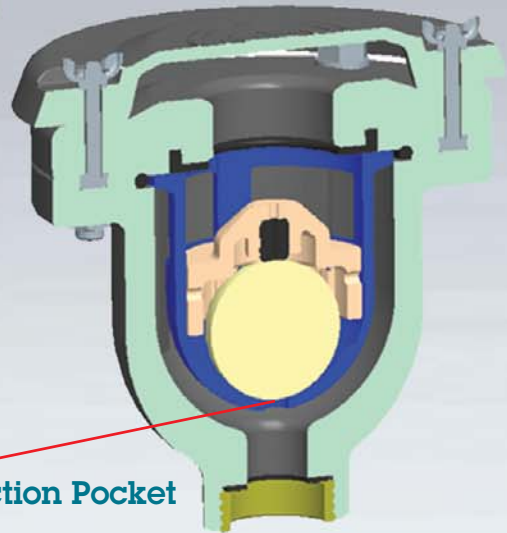
Air Release Valve

3" Flanged Air Release Valve



- Body, Bonnet & Cover**
PDCPD (Polydicyclopentadiene)
- Seat**
EPDM
- Bolt & Nut**
SS304 (Stainless Steel 304)
- Seal O-Ring**
EPDM
- Seat**
EPDM
- Disc**
PP (Polypropylene)
- Float**
PP (Polypropylene)
- Guide**
HI-PVC (High-Impact PVC)

1" (1-1/4" NPT Connection)
Air Release Valve



Dimensions

Dimensions		
Nominal Size	1"	3"
Height	7.5	9
Width	8	9.5
Body Connector	1 1/4"-1 1/2" NPT Female Threaded	3" ANSI Class 150 Flanged

How it Works

Particulate Collection Pocket
For Self Cleaning

