



TANDEM ELECTRIC



TANDEM PNEUMATIC

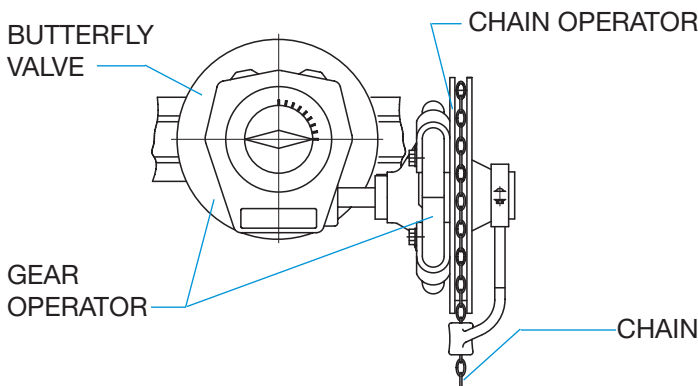
Tandem Valves

Asahi/America's patented, electric and pneumatic tandem operated butterfly valves are primarily used for three-way or diverting applications of slurries or media with suspended particles. Valves can be mounted on the straight run of the "T" or any combination of the branches. This tandem configuration can also be used for simultaneous cycling of the valves in parallel lines.

Accessories

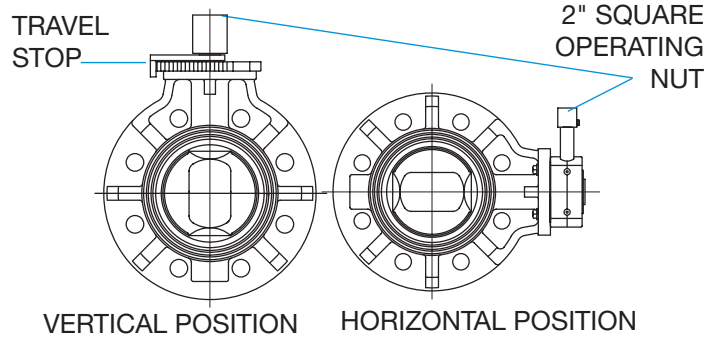
CHAIN OPERATORS

These operators are used for valves in overhead locations. They can only be used with gear operated valves.



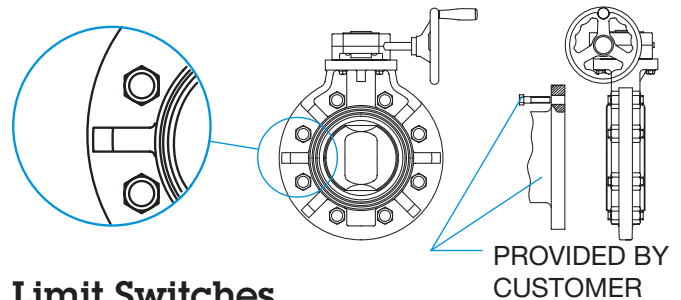
OPERATING NUTS

Operating nuts are available in 2" square or "T" configurations. They are used for remote operation of a valve with an extended wrench.



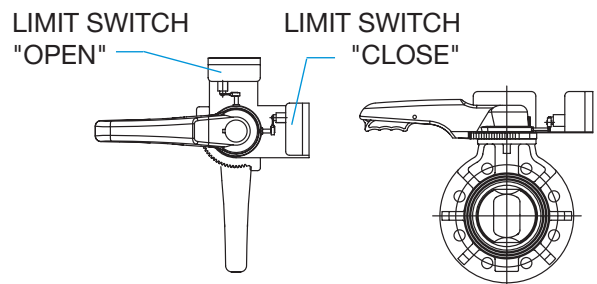
Lug Style Valve

For end-of-line applications, mounted with a single flange or for use as a blocking valve, where either side can be unbolted, and the system pressure can still be maintained on the other side.

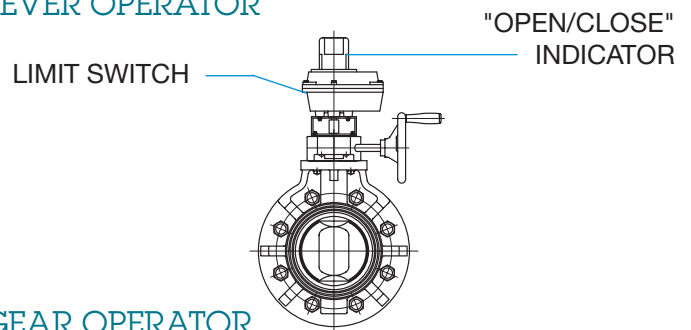


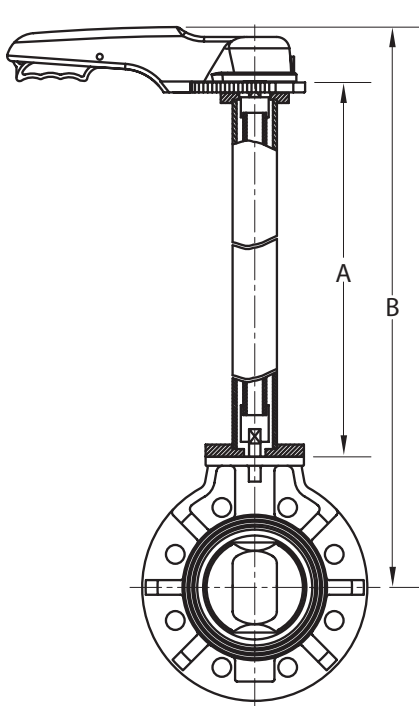
Limit Switches

Limit switches are used for remote position indication with the use of lights or for sequencing of other equipment.

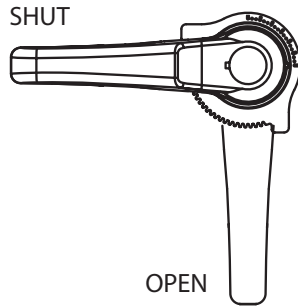


LEVER OPERATOR





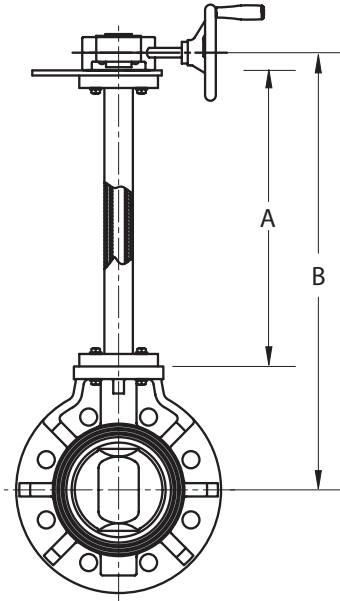
STYLE LBF-A
(TWO PIECE, STEM & HOUSING)



Two-Piece Stem and Housing

For submerged or buried applications. PVC housing protects stem extensions from aggressive environments. Epoxy coated carbon steel housing is also available, which is designed to meet landfill specifications.

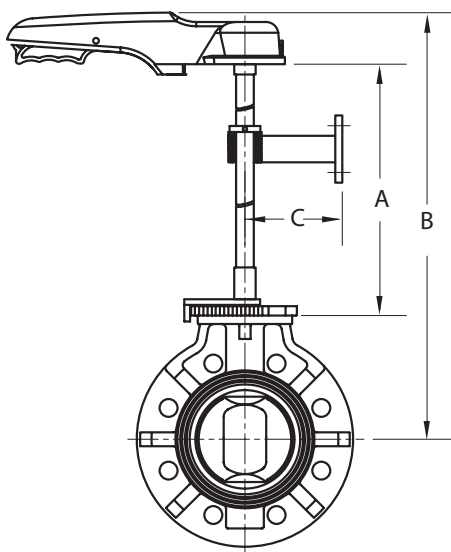
Note: Landfill style stem extensions are gear-operated type only.



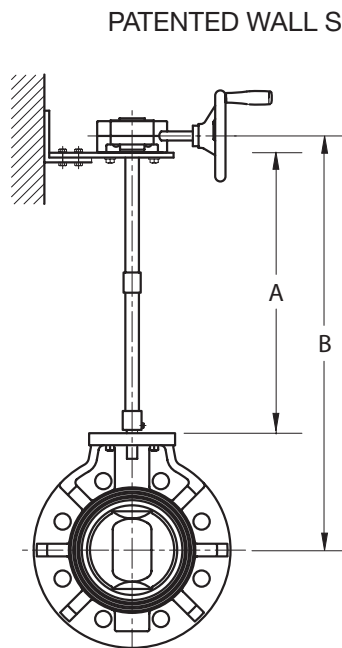
STYLE GBF-A
(TWO PIECE, STEM & HOUSING)

Single Stem Extensions

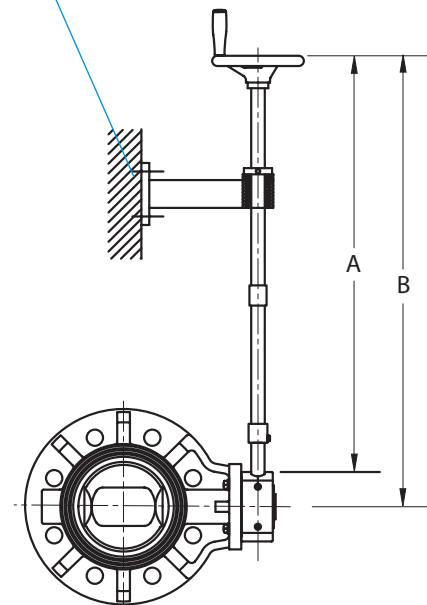
Valve handle can be extended away from the valve for out-of-reach locations.



STYLE LBF-B
(ONE PIECE, NON-SUPPORTED)



STYLE GBF-B
(ONE PIECE, NON-SUPPORTED)



STYLE GBF-C
(ONE PIECE, NON-SUPPORTED)