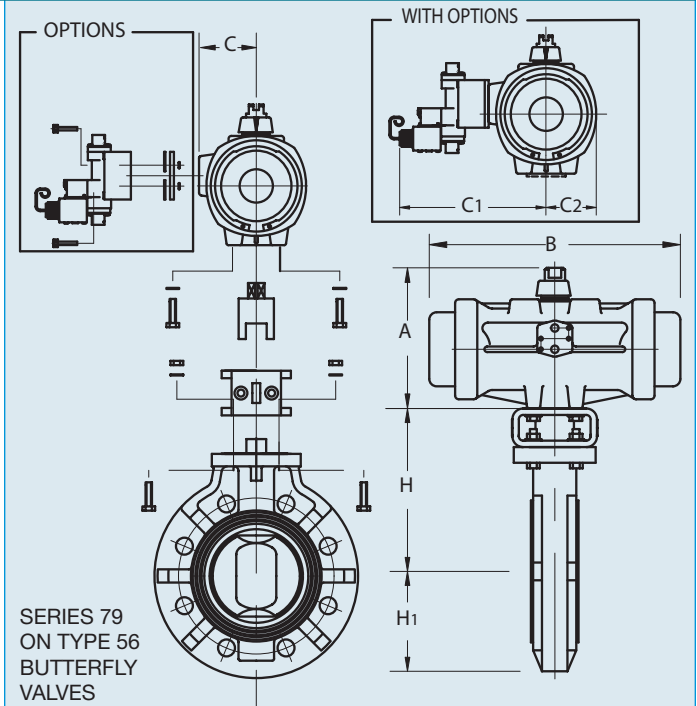


# Pneumatically Actuated Butterfly Valves

## Standard Features (Sizes 1-1/2" – 24")

- Recommended air supply pressure:  
80 psi (filtered air)  
maximum air supply pressure 120 psi
- Double piston, double rack and pinion design (Polyamid-Nylon 66)
- Air-to-Air (double acting) or Air-to-Spring (spring return failsafe) models
- Position indication through highly visible indicator knob
- Manual override easily employed by inserting wrench onto flats of stem. A declutchable gear operator is required on Air-to-Air sizes 8" and above and on all Air-to-Spring sizes
- Actuator shaft 303 stainless steel-See page 22
- Air-to-Air actuators up to 6" and Air-to-Spring actuators up to 4" have PEG (polyamide glass-filled) plastic enclosures. Larger sizes feature aluminum bodies with Cataphoresis and Rilsan coating inside and outside.
- Concentric spring sets allow for consistent output torque.
- ISO and NAMUR mounting dimensions allow for valve accessory mounting
- All models are corrosion resistant to handle the most aggressive applications.



## Options

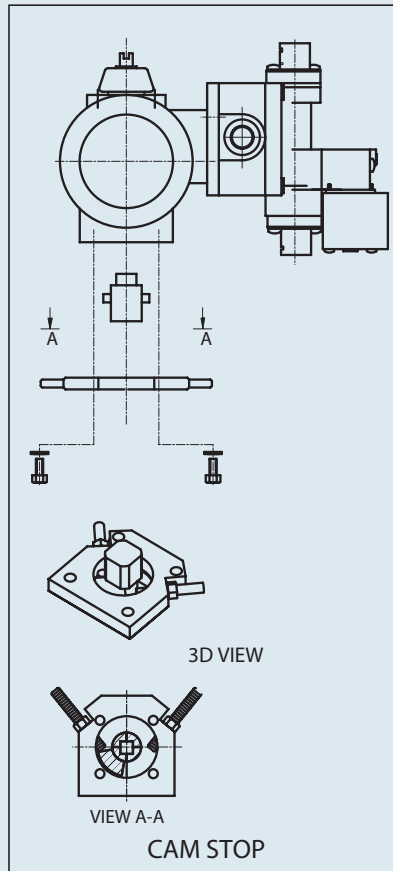
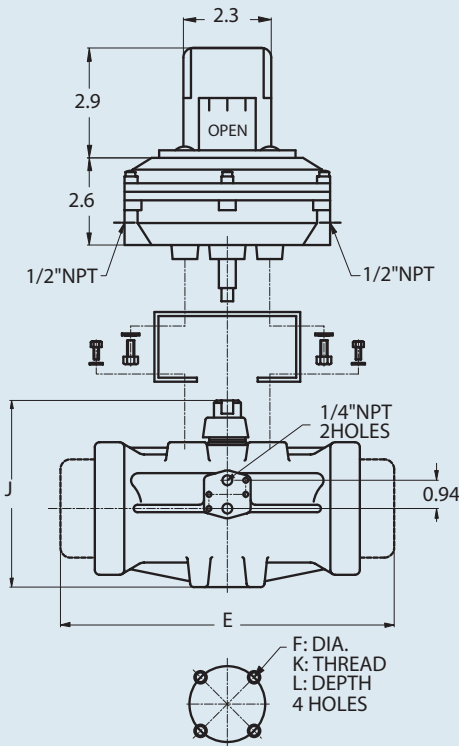
- Solenoids in various NEMA enclosure ratings and voltages are supplied with muffler speed control and push button override
- Double limit switches in NEMA IV and VII enclosures
- Positioner for modulating service: 4–20 mA or 3 – 15 psi control signal (requiring no solenoid)
- 316 stainless steel actuator body
- Bus systems

## Dimensions (Sizes 1-1/2" – 24")

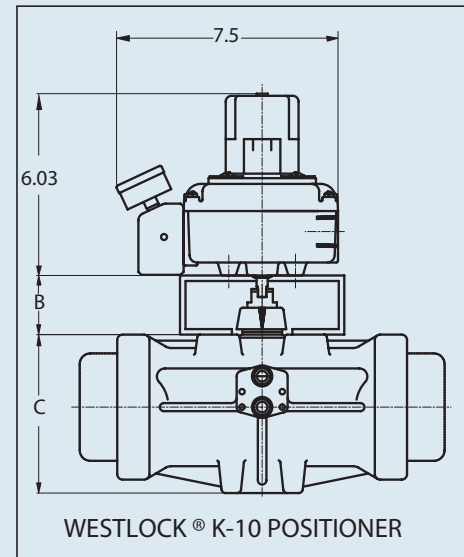
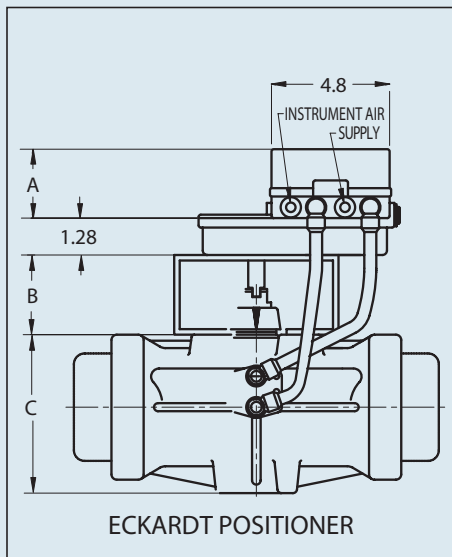
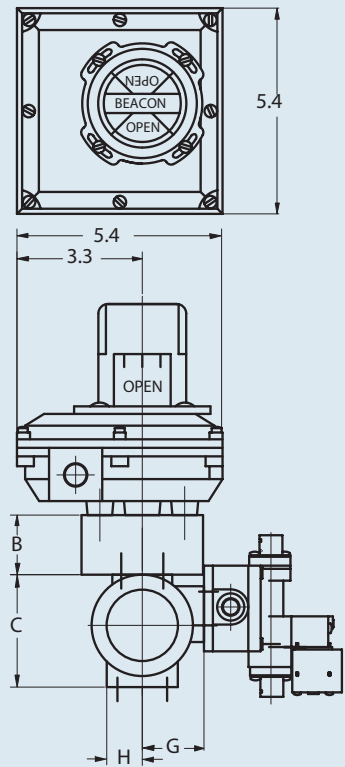
NOMINAL SIZE		MODEL NO. AIR-AIR	MODEL NO. AIR-SPRING	H	H1	A		B		C		C1		C2	
INCHES	mm					A-A	A-S	A-A	A-S	A-A	A-S	A-A	A-S	A-A	A-S
1 1/2	40	BP79PN	CP79PSN	5.51	2.95	4.40	5.00	4.92	8.74	1.73	2.17	5.66	5.89	1.41	1.85
2	50	BP79PN	CP79PSN	5.75	3.25	4.40	5.00	4.92	8.74	1.73	2.17	5.66	5.89	1.41	1.85
2 1/2	80	BP79PN	CP79PSN	6.18	3.66	4.40	5.00	4.92	8.74	1.73	2.17	5.66	5.89	1.41	1.85
3	100	CP79PN	DP79PSN	6.46	3.94	5.00	6.49	7.00	11.50	2.17	2.64	5.89	6.48	1.85	2.36
4	100	CP79PN	DP79PSN	7.16	4.53	5.00	6.49	7.00	11.50	2.17	2.64	5.89	6.48	1.85	2.36
5	125	CP79PN	E79PSN	8.46	5.00	5.00	8.54	7.00	18.50	2.17	3.54	5.89	7.47	1.85	3.23
6	150	DP79PN	E79PSN	8.97	5.63	6.49	8.54	9.21	18.50	2.64	3.54	6.48	7.47	2.36	3.23
8	200	E79PN	E79PSN	11.27	6.69	8.54	8.54	12.12	18.50	3.54	3.54	7.47	7.47	3.23	3.23
10	250	E79PN	F79PSN	12.46	7.99	8.54	11.26	12.12	25.28	3.54	4.13	7.47	8.06	3.23	3.78
12	300	F79PN	G79PSN	14.69	9.53	11.26	13.07	16.46	27.32	4.13	5.20	8.06	9.05	3.78	4.76
14	350	G79PN	K79PSN	14.81	10.24	13.07	16.53	20.63	32.83	5.20	7.87	9.05	11.72	4.76	7.16
16	400	G79PN	K79PSN	16.78	11.81	13.07	16.53	20.63	32.83	5.20	7.87	9.05	11.72	4.76	7.16
18	450	G79PN	K79PSN	17.57	12.40	13.07	16.53	20.63	32.83	5.20	7.87	9.05	11.72	4.76	7.16
20	500	G79PN	K79PSN	18.75	13.78	13.07	16.53	20.63	32.83	5.20	7.87	9.05	11.72	4.76	7.16
24	600	G79PN	K79PSN	21.31	16.02	13.07	16.53	20.63	32.83	5.20	7.87	9.05	11.72	4.76	7.16

# Pneumatic Actuator and Options

SWITCH ASSEMBLY



SWITCH ASSEMBLY WITH SOLENOID



**Dimensions (IN.) ACTUATOR / LIMIT SWITCH**

ACTUATOR SIZE	B	C	E		F	H	G	J	K	L
			A-A	A-S						
BP79P	2.16	3.14	4.92	5.86	1.97	1.41	1.73	4.40	6mm	.50
CP79P	2.16	3.81	7.00	8.74	2.76	1.85	2.17	5.00	8mm	.62
DP79P	2.16	5.15	9.21	11.49	2.76	2.36	2.64	6.49	8mm	.75
E79P	2.16	7.09	12.12	18.50	4.02	3.23	3.54	8.54	10mm	.79
F79P	2.95	8.86	16.46	25.28	4.92	3.78	4.13	11.26	12mm	.79
G79P	2.95	10.71	20.63	27.32	5.51	4.76	5.20	13.07	16mm	.98
K79P	2.95	14.96	N/A	32.83	6.50	7.16	7.87	16.53	3/4-10	1.14

**Dim. (IN.) ACT./POSITIONER**

ACTUATOR SIZE	B	C	E		A	
			A-A	A-S	3-15 psi	4-20 mA
BP79P	2.16	3.14	4.92	5.86	2.28	4.15
CP79P	2.16	3.81	7.00	8.74	2.28	4.15
DP79P	2.16	5.15	9.21	11.49	2.28	4.15
E79P	2.16	7.09	12.12	18.50	2.28	4.15
F79P	2.95	8.86	16.46	25.28	2.28	4.15
G79P	2.95	10.71	20.63	27.32	2.28	4.15
K79P	2.95	14.96	N/A	32.83	2.28	4.15

**Air CONSUMPTION**

MODEL NUMBER	CUBIC INCHES
BP79P	9.0
CP79P	19.5
DP79P	52.0
E79P	125.0
F79P	243.0
G79P	640.0
K79P	1064.0