



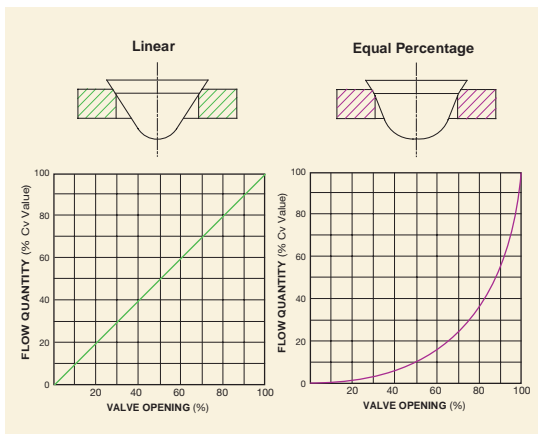
**Compact Globe Control Valve**

### Standard Features

- Low cost control valve
- Precise flow control
- Solid thermoplastic valve body
- PTFE bellows stem seal
- Positive bubble tight shut-off
- Plug and seat can be changed to accommodate a variety of valve coefficients (Cv)
- Plug (trim) can be characterized (linear or equal percentage) per requirements-see below
- No metal to media contact
- Manual Override
- Field selectable cycle time
- Self diagnostic actuator
- Selectable signal of 0-10 VDC or 4-20 mA
- Reverse acting (field selectable)
- 0-10 VDC transmitter
- Corrosion resistant actuator constructed of glass-filled Polybutylene Terephthalate (PBT GF30)
- 115 VAC/ 1ph supply voltage

### Options

- Supply voltages
- Extra (Auxiliary) limit switches



### Specifications

**Sizes:** 1/2" - 2"  
**Materials:** PVC, PP, PVDF and PTFE  
**Model:** Flanged  
**Stem Seals:** PTFE, Bellows  
**Valve Seals:** EPDM, FKM, PTFE encapsulated FKM

### Flow

**Characteristics:** Liner or Equal Percentage  
**Rangeability:** 1:50  
**Temp Range :** PVC 32-140° F, PP -5-175°F  
 PVDF -40-265° F, PTFE -5- 284°F

### Parts List (Sizes 1/2" - 2")

PARTS			
NO.	DESCRIPTION	PCS	MATERIAL
1	Electric Actuator	1	PBT GF30
2	Manual Override	1	PBT GF30
4	Actuator Valve Stem	1	Stainless Steel
7	Position Indicator	1	POM
8	Bellows Seal O-Ring	1	EPDM, FKM, PTFE Encapsulated FKM
9	Bellows Housing	1	PVC,PP,PVDF,PTFE
10	Body O-Ring	1	EPDM,FKM,PTFE Encapsulated FKM
11	Bellows	1	PTFE
12	Seat O-Ring	1	EPDM,FKM,PTFE Encapsulated FKM
13	Valve Seat	1	PVC,PP,PVDF,PTFE
14	Valve Plug	1	PVC,PP,PVDF,PTFE
15	Valve Body	1	PVC,PP,PVDF,PTFE

### Sample Specification

All Thermoplastic modulating control valves shall be of the Globe Valve design. Valves shall have interchangeable seats and plugs to accommodate various flow coefficients (CV), and flow characteristics shall be either linear or equal percentage. Stem seal shall be PTFE and of the bellows design. Self-diagnostic electric actuator shall be constructed of glass-filled Polybutylene Terephthalate (PBT GF30), have a manual override and position indicator. Actuator shall operate with 115 VAC/1ph supply voltage and a throttling positioner that accepts a field selectable signal of 0-10 VDC or 4-20 mA, and transmit a feedback signal of 0-10 VDC. PVC shall conform to ASTM D1784 Cell Classification 12454-A, PP shall conform to ASTM D4101 Cell Classification PPO210B67272, PVDF shall conform to ASTM D3222 Cell Classification Type II, and PTFE shall conform to PTFE TFM 1600, as manufactured by Asahi/America, Inc.

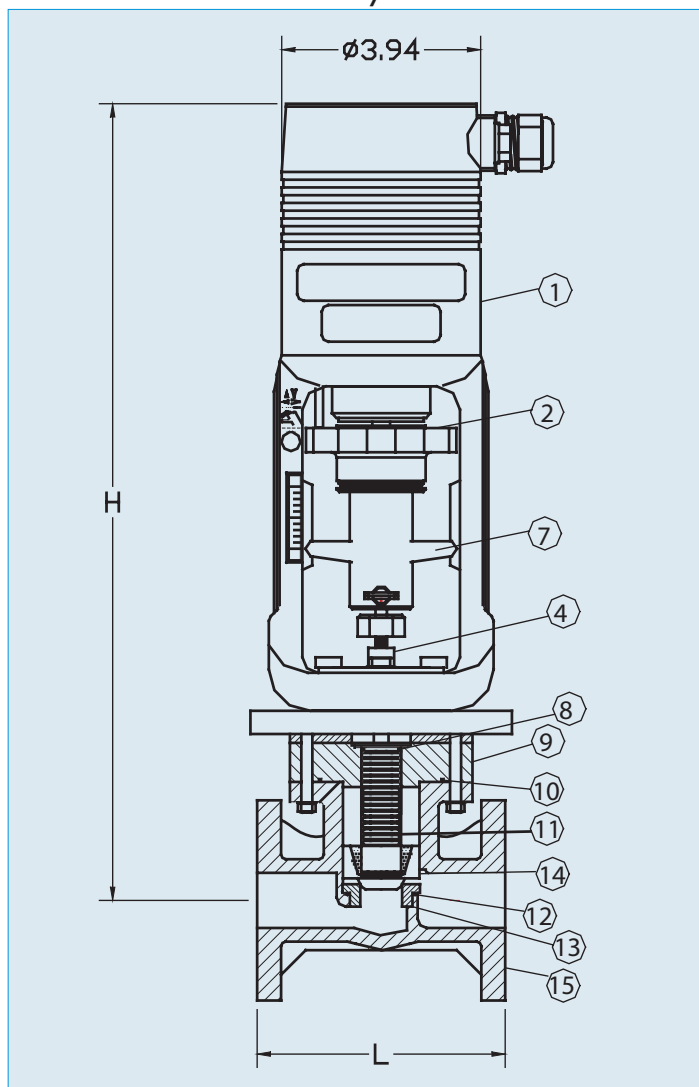
**ASAHI/ AMERICA RECOMMENDS THE USE OF A/V GASKETS FOR THIS PRODUCT LINE**

### Caution

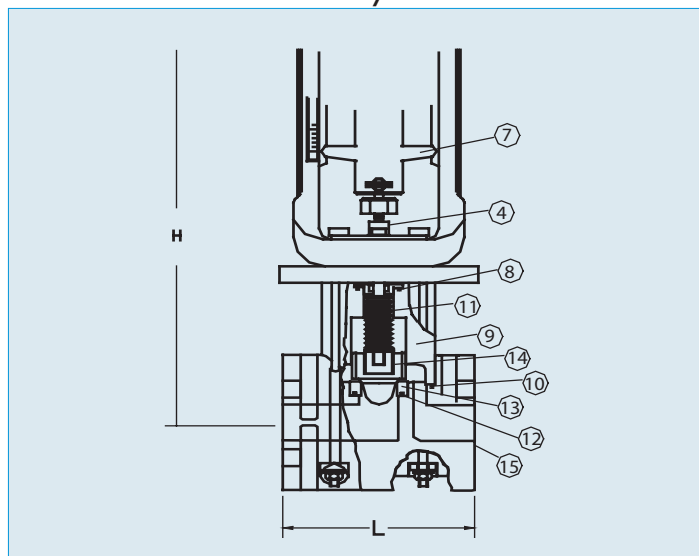
- Never remove valve from pipeline under pressure.
- Always wear protective gloves and goggles.

# Compact Globe Control Valve

## PVC/PP



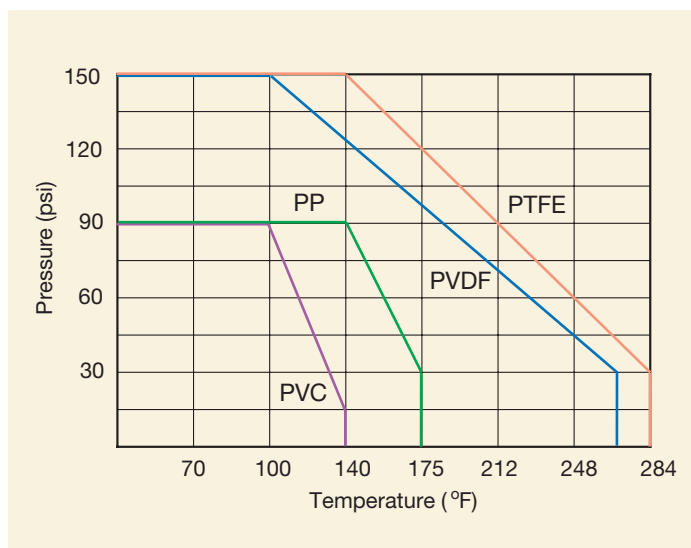
## PVDF/PTFE



## Dimensions (INCHES)

Nominal Size		PVC,PP			PVDF,PTF		
inches	mm	L	H	D	L	H	D
1/2	15	3.35	17.4	3.94	5.12	18.4	3.94
3/4	20	3.74	17.4	3.94	5.91	18.6	3.94
1	25	4.33	17.6	3.94	6.30	18.6	3.94
1 1/4	32	5.31	17.8	3.94	7.09	18.8	3.94
1 1/2	40	7.48	17.8	3.94	7.87	19.0	3.94
2	50	7.87	19.2	3.94	9.06	19.2	3.94

## Pressure vs Temperature



## Troubleshooting

### What if fluid flows even when fully closed?

1. Plug and/or seat damaged.
2. Foreign matter caught or formed at plug and seat.

### What if it does not open?

1. No supply voltage.
2. No instrument signal.
3. Blown fuse in supply voltage line.
4. Actuator is in "Manual" mode

### What if fluid leaks from body?

1. Bolts for bellows housing and body not tight.  
O-Rings chemically attacked