



Constant Flow Valves

Specifications

Sizes: PVC: 1/2", 3/4", 1", 2", 3", 4"
CPVC: 1" and 2"

Body: PVC, CPVC (1" and 2")

Bonnet: PVC, CPVC (1" and 2")

Models: Flanged ANSI

Seals: EPDM

Springs: Stainless Steel 304 with ETFE Coating

Temperature: PVC: 30 - 120° F
CPVC: 30 - 160° F
(1" & 2" only)

Standard Features (Sizes 1/2" - 4")

- Body and bonnet are of solid PVC or CPVC
- All wetted parts are of thermoplastic and elastomeric materials for superior corrosion resistance
- A preset constant flow rate is maintained by automatically regulating orifice opening area, responding to changes of pressure differentials across the valve - see "Principles of Operation" on the following page
- Vertical or horizontal installations
- Flow rate accuracy: plus or minus 6 % of full scale flow rate (water at ambient temperature)
- Flow rate rangeability: 20 : 1 maximum
- Hand wheel permits ON/OFF opening and closing
- Hand wheel serves as a mechanism by which the flow rate setting may be adjusted without shutting down the pipeline
- Springs of Stainless Steel 304 with ETFE coating tested for long cycle life
- Prescribed flow setting is clearly visible on the indicator at the top

Options

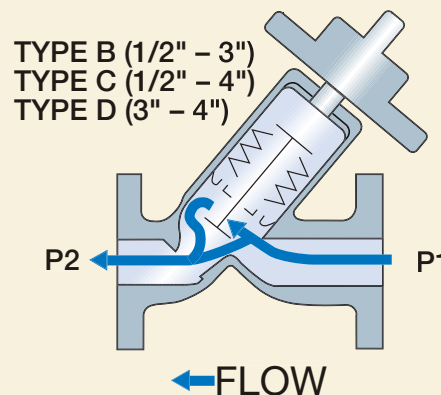
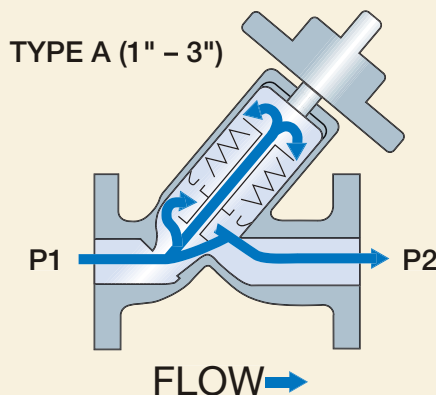
- Seals in Neoprene®, FKM*, etc.
- Also available in flanged DIN (Metric), etc.

Sample Specification

All constant flow valves shall be of solid thermoplastic-flanged construction, and all wetted parts shall be of non-metallic materials. Size 1/2" and 3/4" shall be of inline design, while 1" - 4" shall be a Y type design. PVC shall conform to ASTM D1784 Cell Classification 12454-A, CPVC shall conform to ASTM Cell Classification 23567-A. Spring construction shall be 304 ss with ETFE coating. All constant flow valves shall have a calibrated flow dial and position indicator. Valve accuracy shall be +/- 6% of full scale. Constant flow valve sizes 1/2"-3" shall have a maximum upstream pressure range of 150 psi at 120 degree F. and Size 4" 70 psi at 120 degree F as manufactured by Asahi/America, Inc.

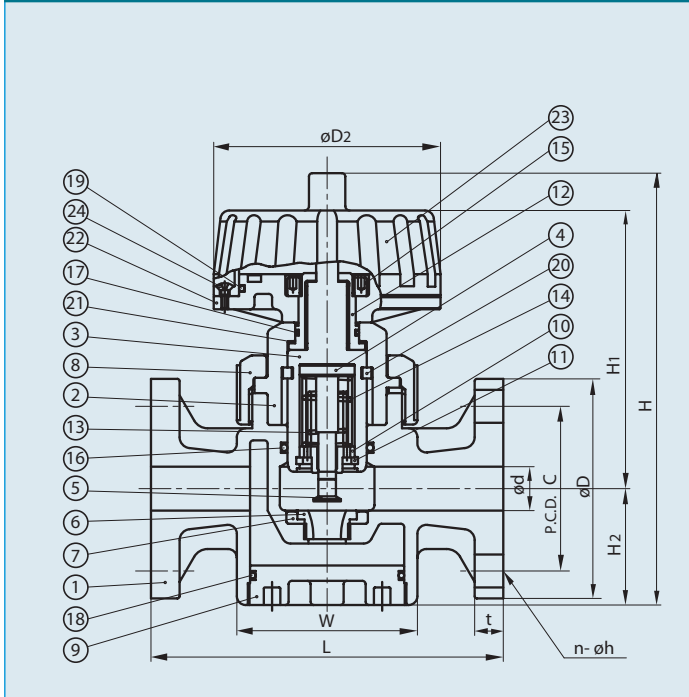
*Consult Factory

TYPE	SIZES	CHARACTERISTICS
A	1", 2" 3"	Fluid flows through the valve
B	1/2", 3/4", 1", 2", 3",	Flow rate setting range is large (small to large flow rate)
C	1/2", 3/4", 1", 2", 3", 4"	Lines with large pressure differentials (upstream vs. downstream)
D	3", 4"	High flow rate



Constant Flow Valves

1/2" – 3/4" Model



Parts (Sizes 1/2" – 3/4")

PARTS			
NO.	DESCRIPTION	PCS.	MATERIAL
1	Body	1	PVC
2	Bonnet	1	PVC
3	Cylinder	1	PVC
4	Piston	1	PVC
5	Plug	1	PVC
6	Orifice	1	PVC
7	Seat	1	EPDM
8	Cap Nut	1	PVC
9	Cap	1	PVC
10	Spring Base	1	PVC
11	Stop Ring	1	PVDF
12	Sleeve	1	Copper Alloy
13	Spring (A)	1	Stainless Steel 304*
14	Spring (B)	1	Stainless Steel 304*
15	Nut	1	PVC
16	O-Ring (A)	1	EPDM
17	O-Ring (B)	1	EPDM
18	O-Ring (C)	1	EPDM
19	O-Ring (D)	1	EPDM
20	Key	2	PP
21	Thrust Ring	1	PP
22	Handle Base	1	PVC
23	Handle Cover	1	PVC
24	Screw	4	Stainless Steel 304

* With ETFE coating

Principles of Operation

1. When the upstream fluid pressure, P1, is introduced at the flow control orifice, it exerts a responding pressure on the upper surface of the flange on the piston type valve plug.
2. Likewise, the downstream pressure, P2, exerts a corresponding pressure to the lower surface of the valve plug flange.
3. Thus, when a differential exists between the fluid upstream and downstream of the orifice, the corresponding differential pressure acting on the surfaces of the flange moves the valve plug piston either downward against the force of the spring cartridge or upward by the force of the spring, depending upon the direction of the force induced by the existing differential pressure.
4. This upward or downward movement of the valve plug piston causes the flow orifice to be widened or narrowed accordingly, thus the flow rate of the fluid passing across the orifice is automatically adjusted. For example, if the differential pressure, (P1 - P2) created between the upstream and downstream sides of the orifice increases, the valve plug piston moves downward to narrow the area of the orifice opening and automatically adjusts to the preset flow rate value. The reverse is also true when the differential pressure decreases, piston moves upward increasing the orifice opening area and allowing the fluid flow rate to increase to the preset value.

Dimensions (Sizes 1/2" – 3/4")

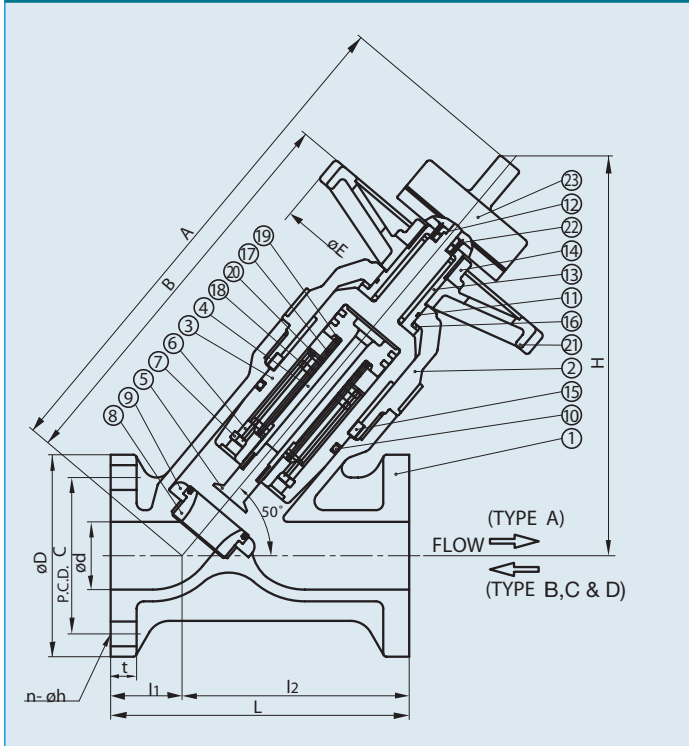
NOMINAL SIZE		ANSI CLASS 150							
INCHES	mm	d	D	c	n	h	L	t	
1/2	15	0.63	3.50	2.38	4	0.62	6.30	0.47	
3/4	20	0.79	3.88	2.75	4	0.62	6.30	0.51	

NOMINAL SIZE						
INCHES	mm	W	D2	H	H1	H
1/2	15	3.23 X 3.23	4.06	7.76	5.08	2.01
3/4	20	3.23 X 3.23	4.06	7.76	5.00	2.09

NOTE: THE PISTON FOR TYPE B, C AND D DOES NOT HAVE INLET FLUID PASSAGE. THE PRESSURE DIFFERENTIAL, (P1 - P2), EXERTS DIRECTLY ON THE PLUG SURFACE.

Constant Flow Valves

1" - 4" Model



Preset Flow Rates (AND WORKING DIFFERENTIAL PRESSURE)

NOMINAL SIZE		TYPE	FLOW RATE GAL./MIN.	RANGEABILITY	WORKING DIFFERENTIAL PRESSURE PSI
INCHES	mm				
1/2	15	B	0.176 - 3.52	20:1	2.85 - 14.22
		C	0.35 - 3.52	10:1	4.27 - 28.45
3/4	20	B	0.26 - 5.28	20:1	2.85 - 14.22
		C	0.53 - 5.28	10:1	4.27 - 28.45
1	25	A	2.20 - 8.81	4:1	2.85 - 14.22
		B	0.441 - 8.81	20:1	2.85 - 14.22
		C	0.881 - 8.81	10:1	4.27 - 28.45
2	50	A	8.81 - 35.22	4:1	2.85 - 14.22
		B	1.76 - 35.22	20:1	2.85 - 14.22
		C	3.52 - 35.22	10:1	4.27 - 28.45
3	80	A	22.02 - 88.07	4:1	4.85 - 14.22
		B	4.403 - 88.07	20:1	2.85 - 14.22
		C	8.81 - 88.07	10:1	4.27 - 28.45
		D	66.04 - 132.10	2:1	4.27 - 21.33
4	100	C	44.03 - 264.20	6:1	4.27 - 28.45
		D	132.10 - 264.20	2:1	2.85 - 21.33

Parts (Sizes 1" - 4")

PARTS			
NO.	DESCRIPTION	PCS.	MATERIAL
1	Body	1	PVC
2	Bonnet	1	PVC
3	Cylinder	1	PVC
4	Piston	1	PVC
5	Plug	1	PVC
6	Spring Base	1	PVC
7	Stop Ring	1	PVDF
8	Orifice	1	PVC
9	Seat	1	EPDM
10	O-Ring (A)	1	EPDM
11	O-Ring (B)	1	EPDM
12	O-Ring (C)	1	EPDM
13	Sleeve	1	Copper Alloy
14	Cap	1	PVC
15	Key	2	PVC
16	Thrust Ring	1	PP
17	Spring (A)	1	Stainless Steel 304*
18	Spring (B)	1	Stainless Steel 304*
19	Washer (A)	1	PVC
20	Washer (B)	1	PVC
21	Hand Wheel	1	PP
22	Screw	4	Copper Alloy
23	Lift Indicator	1	PVC

* With ETFE coating

Weight (POUNDS)

NOMINAL SIZE		FLANGED
INCHES	mm	
1/2	15	3.31
3/4	20	3.31
1	25	3.31
2	50	11.02
3	80	18.74
4	100	36.38

Constant Flow Valves

Dimensions (Sizes 1" – 4")

NOMINAL SIZE		ANSI CLASS 150					l1	l2	L	t	A	B	H	E	Degree
INCHES	mm	d	D	C	n	h									
1	25	0.98	4.25	3.12	4	0.62	1.57	4.72	6.30	0.55	10.71	7.91	8.58	5.91	50
2	50	2.05	6.00	4.75	4	0.75	2.17	6.89	9.06	0.79	15.35	12.17	12.09	8.27	50
3	80	3.07	7.50	6.00	4	0.75	2.76	8.27	11.02	0.87	19.06	15.24	14.84	8.27	50

NOMINAL SIZE		ANSI CLASS 150					l1	l2	L	t	A	B	H	E	Degree
INCHES	mm	d	D	C	n	h									
4	100	3.94	8.66	7.50	8	0.75	3.35	12.40	15.75	0.87	24.53	19.02	17.56	9.84	50

Caution

- Constant Flow valves are intended for “Clean Fluid” services. Should the possibility of foreign matters exist in the media, a sediment strainer of 60 mesh is to be installed in the upstream of the valve. For added protection, avoid installing valves with bonnet facing downward, regardless of vertical or horizontal installation.
- For the utmost functional accuracy, the following conditions apply:
 1. Media specific gravity: Sizes 1/2" - 3" up to 1.4, Sizes 4" up to 1.1
 2. Media viscosity: maximum 30 cp
 3. Working pressures are grouped into 4 that correlate to working temperatures per the format below.
- For size 4", maximum upstream working pressure is 70 psi.
- Make sure of the “Flow Direction”, clearly marked on the valve body, before installation.
- Note that flow direction of Type A is different from that of Type B, C and D.
- The valve can be installed either vertically or horizontally as long as fluid always fills the valve fluid passage.
- Never operate the valves when indicator is out of the gauge range.
- Never attempt to disassemble indicator unit at the top (preset by the factory).
- Never remove valve from pipeline under pressure.
- Always wear protective gloves and goggles.

Tips On Constant Flow Valve

- Keep constant flow rate without power or labor.
- To operate, simply rotate handle clockwise to bring indicator to the designated position.
- Rotate handle clockwise to decrease the flow and counter-clockwise to increase.
- To fully close the valve, rotate handle clockwise to bring the indicator to “0” (zero) position.
- To properly set a new flow rate, rotate handle counter-clockwise till the indicator goes beyond the intended new rate. Then, reverse (rotate clockwise) to the new rate.
- Indicator must be positioned at “0” (zero) of the gauge, if bonnet is to be disassembled.
- The valves are ideal for:
 1. Any constant media supply
 2. Well-balanced fluid supply in parallel piping systems
 3. Simultaneous and even fluid supply to multi-pipelines, multi- tanks, large and small pools
 4. Cooling towers and scrubbers etc.

Constant Flow Valves

Available Upstream Pressure Range

(Size 1/2" - 4", Type-A,B,C,D)

BODY MATERIAL		PVC			CPVC	
TEMPERATURE		35 - 85 ° F	86 - 105 ° F	106 - 120 ° F	121 - 140 ° F	141 - 160 ° F
UPSTREAM PRESSURE RANGE	0-35 PSI					
	35-70 PSI					
	70-110 PSI					
	110-150 PSI					

Max. Allowable Upstream Pressure

- PVC 1/2" - 3"; 0 - 150 PSI
- PVC 4"; 0 - 70 PSI
- CPVC 1" & 2"; 0 - 150 PSI

Troubleshooting

What if fluid flows even when valve is fully closed?

1. Either seat or plug is damaged. Replace body or cylinder.
2. Foreign material caught between plug and orifice. Clean seat and plug.

What if valve cannot be closed?

1. Foreign material trapped or built up between plug and orifice. Disassemble and clean.

What if fluid leaks outside?

1. O-ring is chemically attacked or damaged. Replace O-ring.

What if flow is extraordinarily small?

1. Insufficient differential pressure. Adjust differential pressure.
2. Foreign material caught between plug and orifice. Clean.

What if flow rate exceeds the preset range?

1. Differential pressure exceeded the range. Adjust differential pressure.
2. Damaged or worn plug and/or orifice. Consult factory.
3. Foreign material caught between plug and orifice.

Ordering Information

Service Conditions

1. Media: _____ Conc: _____ %
2. Specific Gravity _____ Viscosity _____
3. Line Temperature: Max. _____ (° F)
Line Temperature: Min. _____ (° F)
4. Flow Req'd: Max _____ (gpm)
Min _____ (gpm)
5. Max Line Pressure: Upstream _____ (psi)
Downstream _____ (psi)
6. Min Line Pressure: Upstream _____ (psi)
Downstream _____ (psi)

Valve Specifications

1. Line Size: _____
2. Type: _____
3. Temp. Range: _____
4. Pres. Range: _____
5. Seal Material: _____
6. Connection: _____