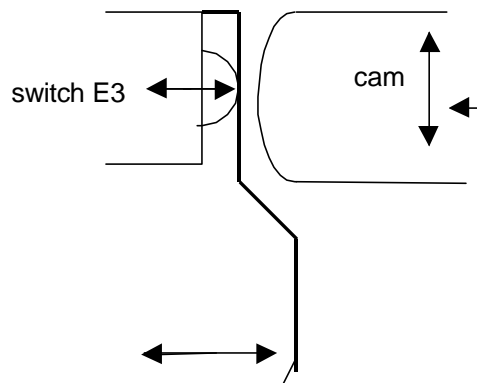


If you turn the screw E4 then move this cam up or down. This function is also for E3.

This object is connected with spindle. If the spindle move up or down (valve open or close) this object move also up and down and the cam switch the switches E3 or E4.



How to adjust E3 and E4.  
 Close complete the valve. Then turn the screw for E3 until the cam are react. Then open the valve complete. Turn the screw for E4 until the cam are react. Now you have the position for full close or full open.

Now the sheet metal are in this form.

Better for function is this one. (the same form as E1 and E2)

solution 1: For an electrician is it not a problem short the in existence sheet metal an bend the end.  
 solution 2: He use the original short sheet metal from RTK.