

# High Temperature Pneumatic Actuator



The HT Series Pneumatic Actuator has been specifically designed for valves that are installed on or close to furnaces, boilers, kilns, reactor vessels; or valves handling thermal fluids in heat exchangers, thermal transfer equipment, process vessels, etc. Typically the valves are insulated however, conductive and radiant heat can increase the temperature around the actuator to levels higher than recommended for our standard pneumatic actuator (195°F).

With this in mind, the HT Series Actuator was developed. Dimensions and operation are the same as our standard Series 79 Pneumatic Actuators however; the materials of construction have been re-engineered to allow for temperatures up to 450°F.

### Externals:

The body and end caps are die-cast aluminum alloy specially treated to prevent deformation at high temperatures, and fully jacketed in Xylan®.

### Internals:

The shaft and pinion are 303 SS, the pistons are bichromated steel with graphite-filled PTFE piston guides, and FKM (VITON) O-rings. Spring return models have SS concentric spring sets.

### Double Acting

Model No.	Output Torque IN/LBS	Weight LBS
BHT79P	199	3.2
CHT79P	567	6.4
DHT79P	1325	12.9
EHT79P	3776	26.3

### Single Acting

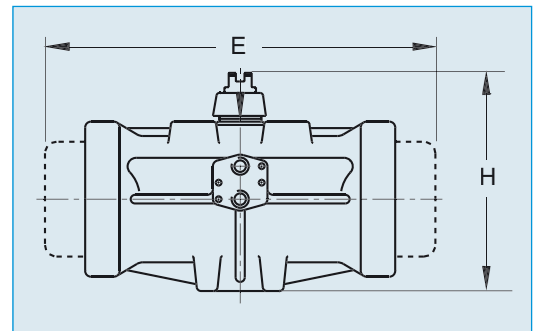
Model No.	Output Torque IN/LBS	Weight LBS
BHT79PS	62	3.7
CHT79PS	230	8.2
DHT79PS	416	17.4
EHT79PS	1433	41

Note: Torque based on 80psi Air Supply

# 180° Pneumatic Actuator



The 180° Actuator is for a 3-way or multiport valve, diverting flow from left port to right port and is available with an optional center-off position. This actuator is offered in cathaphoresis and rilsan coated aluminum (inside and outside) with a steel rack and SS pinion. Mounting dimensions are the same as our standard pneumatic actuators (see page 130 for mounting details), output torques are different; please see table below.



### Double Acting

Model No.	Output Torque in/lbs	E Dimensions Inches	H Dimensions Inches	Weight LBS
C79P-180	324	9.76	5.00	8.6
D79P-180	715	11.65	6.34	10.8
E79P-180	1871	18.46	8.31	21.3

Note: Torque based on 80psi Air Supply

### Single Acting

Model No.	Output Torque in/lbs	E Dimensions Inches	H Dimensions Inches	Weight LBS
C79P-180	112	11.89	5.00	10
D79P-180	268	14.72	6.34	14.9
E79P-180	717	23.58	8.31	36.2

Note: Torque based on 80psi Air Supply