

Westlock K-10 Pneumatic Positioner

The Westlock K-10 electro-pneumatic positioner accepts variable instrumentation signals (between 4 and 20 milliamps) from a PLC, DCS, set point controller, etc. and regulates the 80-psi air supply to and from the actuator. This process regulates the actuator position within its quadrant for precise modulation.

Standard Features

- Simple calibration of positioner with AutoCal pushbuttons located inside of housing
- Corrosion resistant engineered resin enclosure, meets NEMA 4X
- Beacon visual position indication
- Pressure Gauges
- 3/4" FNPT conduit entry
- Split range capability
- Reverse acting capability
- NAMUR mount – no linkage

Options

- Hand held I/R calibration tool
- Flat Cover
- NEMA 7 enclosure (Aluminum)
- 303 or 316 SS manifold
- Mechanical switches
- Proximity switches
- 4 – 20 mA transmitter

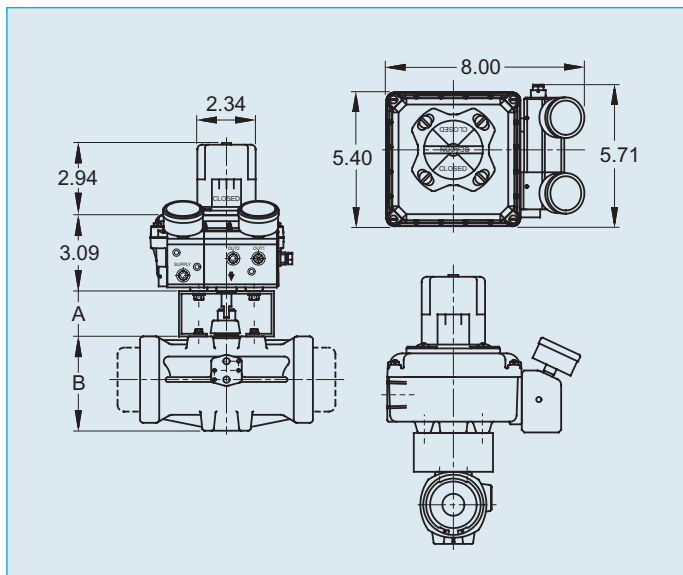


Engineering Specifications

Input current: 4 to 20 mA (analog)
 Supply air pressure: 40 to 120 psi
 Resolution: 0.2% of span
 Linearity: $\pm 1\%$ of span
 Hysteresis: 0.2% of span
 Repeatability: 0.2% of span
 Air connections: 1/4" NPT

Sample Specification

All I/P modulating valves shall be equipped with a K-10 I/P positioner manufactured by Westlock Controls. Positioner housing shall be engineered resin meeting NEMA 4X, with stainless steel shaft & hardware, an anodized aluminum manifold with gauges, and a visual position indicator. Positioner shall be calibrated via AutoCal pushbuttons or with optional hand held calibration tool, and allow for standard (4-20 mA), split range (4-12 mA or 12-20 mA), or reverse acting (20-4 mA) instrument signals, as supplied by Asahi/America, Inc.



Dimensions

Model No.	A	B
A79P	1.75	2.56
B79P	2.16	3.15
B579P	2.16	3.62
C79P	2.16	3.82
C579P	2.16	4.64
D79P	2.16	5.16
D579P	2.16	6.34
E79P	2.16	7.12
F79P	2.95	8.74
G79P	2.95	10.35