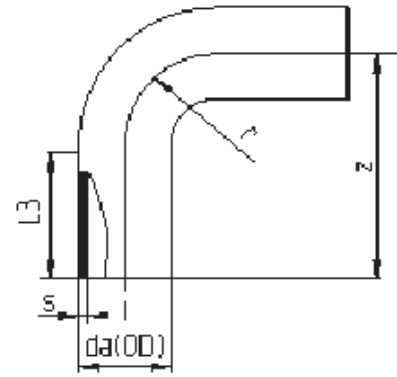


Purad PVDF

New Extended Leg 90

- IR/Butt Fusion
- Molded



Purad High Purity PVDF System

OD		Dimensions		PN 10/ S 16/ SDR 33					PN 16/ S 10/ SDR 21			
(MM)	(Inch)	r	z	l3	Agru Code	Asahi Part #	s	Weight (lbs)	Agru Code	Asahi Part #	s	Weight (lbs)
20	½"	0.787	2.008	1.299	-	-	-	-	068.0020.21	5402005	0.075	0.03
25	¾"	0.984	2.205	1.299	-	-	-	-	068.0025.21	5402007	0.075	0.04
32	1"	1.260	2.480	1.299	-	-	-	-	068.0032.21	5402010	0.094	0.06
40	1¼"	1.575	2.835	1.417	-	-	-	-	068.0040.21	5402012	0.094	0.08
50	1½"	1.968	3.307	1.417	-	-	-	-	068.0050.21	5402015	0.118	0.14
63	2"	2.480	3.819	1.378	-	-	-	-	068.0063.21	5402020	0.118	0.21
73	2 1/2"	2.953	3.937	0.984	-	-	-	-	068.0075.21	5402025	0.142	0.31
90	3"	3.543	4.843	1.181	068.0090.33	5429030	0.110	0.39	068.0090.21	5402030	0.169	0.54
110	4"	4.331	5.630	1.181	068.0110.33	5429040	0.134	0.48	068.0110.21	5402040	0.209	0.97

Updated 6/1/07