

Westlock P-10 Pneumatic Positioner

The Westlock P-10 pneumatic positioner accepts variable pneumatic instrumentation signals (typically between 3 and 15 psig) and regulates the 80-psi air supply to the actuator via a characterized cam, diaphragm and spool.

The diaphragm receives an input pressure signal from the controller, which applies force to the spool valve spring causing the spool valve to move. This movement modifies the air pressure to the actuator, permitting the actuator to respond accordingly. The characterized cam transmits the actuator movement to the spool valve.

Standard Features

- Epoxy coated die cast aluminum housing meeting NEMA 4X
- Disc indication within a flat cover
- Split range capability
- Reverse acting capability
- NAMUR mount – no linkage
- Independent adjustment of zero and span

Options

- I/P (Transducer) in NEMA 4 or 7
- Black and Yellow Beacon indication
- Degreed Beacon indication
- 6-30 psi Input signal
- Gauges
- Mechanical switches
- Proximity switches
- 4 – 20 mA transmitter

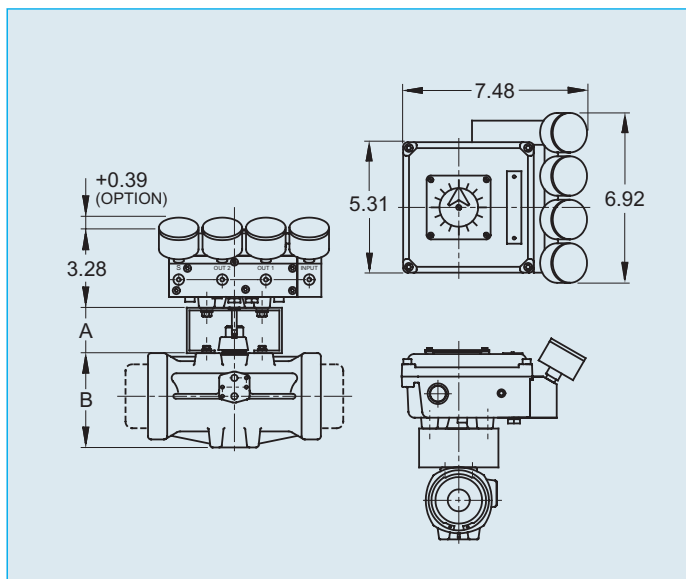


Engineering Specifications

Input range: 3 to 15 psig
 Supply air pressure: 60 to 120 psig
 Repeatability: < 0.5% of span
 Linearity: < 2% of span
 Hysteresis: < 0.75% of span
 Deadband: < 0.3% of span
 Air connections: 1/4" NPT

Sample Specification

All pneumatic modulating valves shall be equipped with a P-10 pneumatic positioner manufactured by Westlock Controls. Positioner housing shall be die cast aluminum with an epoxy coating meeting NEMA 4X, with stainless steel shaft and hardware, and a flat disc position indicator, as supplied by Asahi/America, Inc.



Dimensions

Model No.	A	B
A79P	1.75	2.56
B79P	2.16	3.15
B579P	2.16	3.62
C79P	2.16	3.82
C579P	2.16	4.64
D79P	2.16	5.16
D579P	2.16	6.34
E79P	2.16	7.12
F79P	2.95	8.74
G79P	2.95	10.35