

Ball Check

Single Union



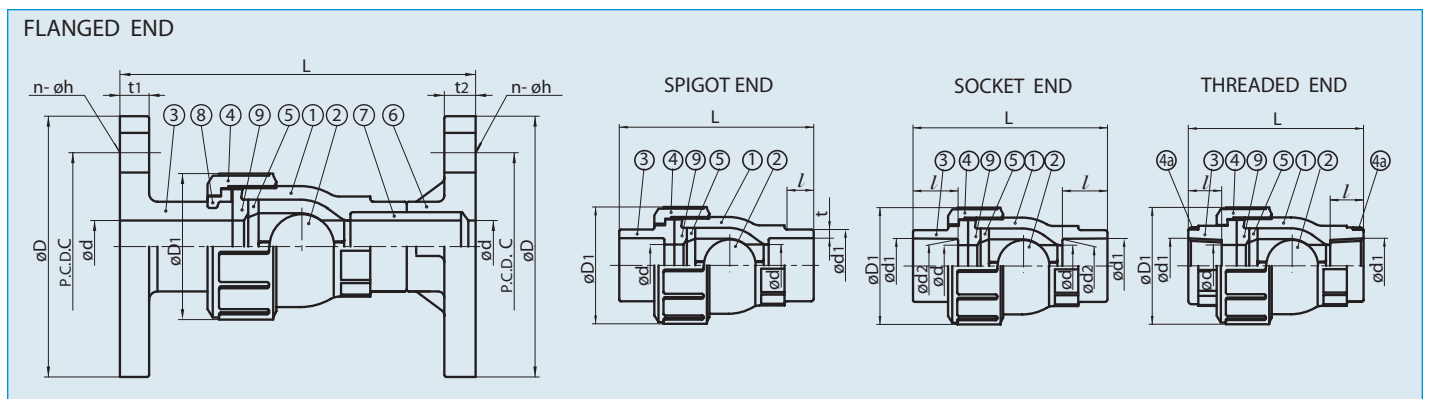
Parts List – Single Union (Sizes 3" – 4")

PARTS			
NO.	DESCRIPTION	PCS.	MATERIAL
1	Body	1	PVC, CPVC, PP, PVDF
2	Ball	1	PVC, CPVC, PP, PVDF
3	End Connector	1	PVC, CPVC, PP, PVDF
4	Union Nut	1	PVC, CPVC, PP, PVDF
5	Stop Ring (A)	1	PVC, CPVC, PP, PVDF
6	Flange		PVC, CPVC, PVDF
7	Stub		PVC, CPVC, PVDF
8	Stop Ring (B)*	1	PVDF
9	Seat	1	EPDM, FKM, PTFE

* Used for flanged end

Dimensions (Sizes 3" – 4")

NOMINAL SIZE	FLANGED										SOCKET						THREADED			SPIGOT (BUTT END)									
	ANSI Class 150										PVC, CPVC			PP, PVDF (DIN)			PP, PVDF (IPS)			PP, PVDF									
											ASTM SCH40			DIN 16962															
INCHES	mm	d	D1	D	C	n	h	L	t1	t2	d1	d2	l	L	d1	d2	l	L	d1	l	L	d1	l	L	d1	l	t	t	L
3	80	3.07	5.98	7.50	6.00	4	0.75	12.20	0.71	0.87	3.516	3.492	1.875	9.57	3.512	3.498	1.40	8.46	3.480	1.874	9.55	3-8 NPT	1.38	8.74	3.543	1.496	0.323	0.169	11.67
4	100	3.94	8.27	9.00	7.50	8	0.75	15.63	0.71	0.87	4.518	4.491	2.000	12.20	4.293	4.278	1.63	11.46	4.480	2.252	12.60	4-8 NPT	1.77	12.09	4.331	1.752	0.394	0.209	13.93



True Union, Single Union, and Foot Valve Weight (POUNDS)

NOMINAL SIZE		SOCKET	FLANGED
INCHES	mm		
1/2	15	0.22	0.66
3/4	20	0.44	1.10
1	25	0.66	1.54
1 1/2	40	1.54	2.20
2	50	2.20	3.31
3	80	6.17	9.92
4	100	14.99	24.25

Cv Values

NOMINAL SIZE		Cv
INCHES	mm	
1/2	15	6.5
3/4	20	17
1	25	25
1 1/2	40	86
2	50	130
3	80	280
4	100	500

Sample Specification – (BALL CHECK VALVES)

All ball check valves and foot valves shall be of solid thermoplastic construction, and shall be designed with an elastomeric uniseat/seal for tight shut-off under pressure. Sizes 1/2" through 2" shall be of True Union design, while 3" & 4" shall be Single Union design. The same seal shall function as both the ball seat and the union seal. PVC shall conform to ASTM D1784 Cell Classification 12454-A, CPVC shall conform to ASTM D1784 Cell Classification 23567-A, PP shall conform to ASTM D4101 Cell Classification PPO210B67272 and PVDF shall conform to ASTM D3222 Cell Classification Type II. Ball Check valves and foot valves sizes 1/2"- 2" shall be rated 150 psi at 70 degrees F, 3" and 4" rated 100 psi at 70 degrees F, as manufactured by Asahi/America, Inc.

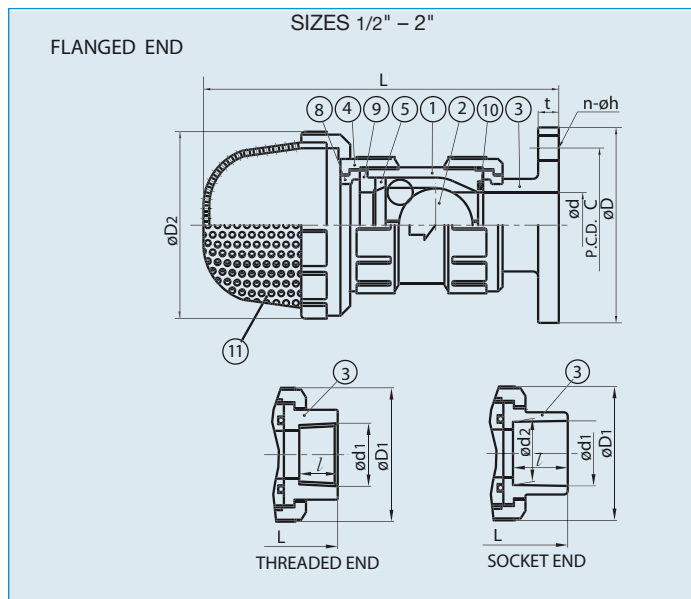
Ball Check

Foot Valve Option

Parts List Foot Valve (Sizes 1/2" – 2")

PARTS			
NO.	DESCRIPTION	PCS.	MATERIAL
1	Body	1	PVC
2	Ball	1	PVC
3	End Connector	1	PVC
4	Union Nut	1	PVC
5	Stop Ring (A)	1	PVC
8	Stop Ring (B)*	1	PVDF
9	Seat	1	EPDM, FKM, PTFE
10	O-Ring	2	EPDM, FKM, PTFE
11	Screen	1	PVC

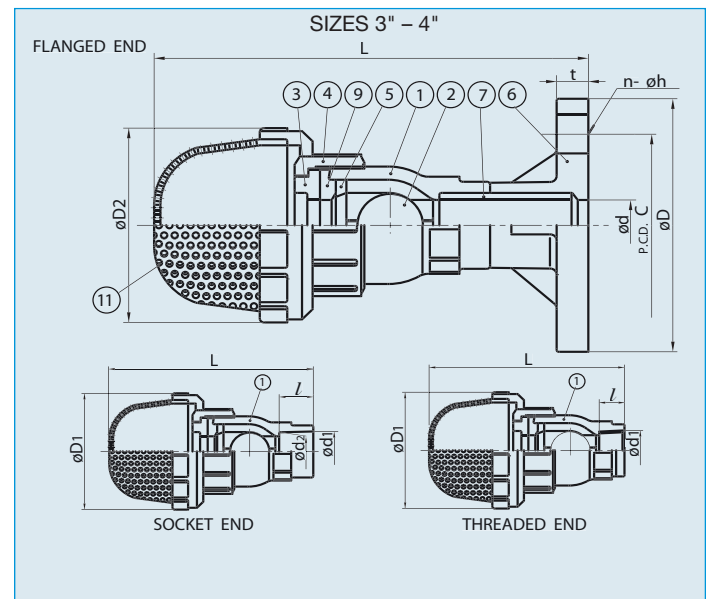
* Used for flanged end



Parts List Foot Valve (Sizes 3" – 4")

PARTS			
NO.	DESCRIPTION	PCS.	MATERIAL
1	Body	1	PVC
2	Ball	1	PVC
3	End Connector	1	PVC
4	Union Nut	1	PVC
5	Stop Ring (A)	1	PVC
6	Flange*	1	PVC
7	Stub*	1	PVC
9	Seat	1	EPDM, FKM, PTFE
11	Screen	1	PVC

* Used for flanged end



Pressure vs. Temperature – BALL CHECK AND FOOT VALVES (PSI, WATER, NON-SHOCK)

NOMINAL SIZE		PVC		CPVC			PP			PVDF			
		30° F	120° F	30° F	121° F	141° F	176° F	-5° F	86° F	141° F	-30° F	141° F	176° F
INCHES	mm	120° F	120° F	140° F	175° F	195° F	85° F	140° F	175° F	140° F	175° F	195° F	210° F
1/2 - 2	15-50	150	150	120	90	60	150	90	60	150	125	110	90
3 - 4	80-100	100	100	90	60	45	75	60	45	100	90	60	45

Foot Valve Wt. (LBS) Dimensions (1/2"– 4")

NOMINAL SIZE		SOCKET	FLANGED	NOMINAL SIZE		SOC.	THR'D	FLG.	
INCHES	mm			INCHES	mm				D2
1/2	15	0.22	0.66	1/2	15	2.36	4.73	4.69	5.40
3/4	20	0.44	0.88	3/4	20	2.76	5.32	5.52	6.40
1	25	0.66	1.32	1	25	3.78	6.24	6.32	6.90
1 1/2	40	1.54	3.31	1 1/2	40	5.24	8.33	8.33	8.50
2	50	2.20	3.31	2	50	5.24	8.97	9.17	10.50
3	80	7.71	11.02	3	80	11.80	12.60	11.80	14.60
4	100	15.43	23.14	4	100	18.25	18.25	18.25	20.25

Caution

- Never remove valve from pipeline under pressure.
- Always wear protective gloves and goggles.