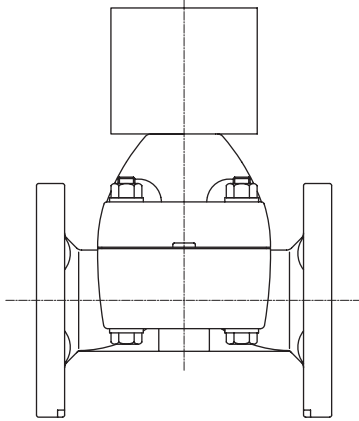


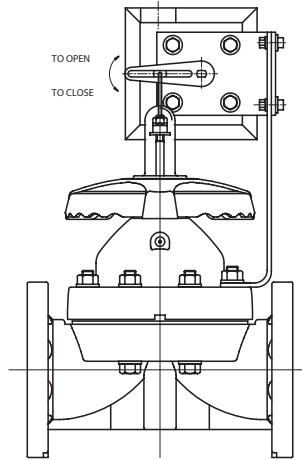
## Operating Nuts

Available in 2" square or "T" configurations. Used for remote operation of a valve by a wrench.



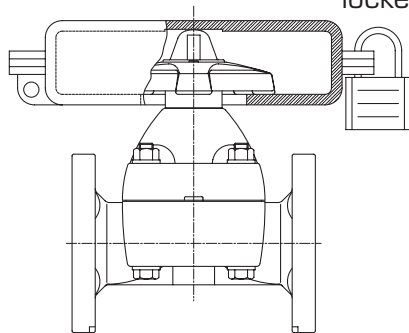
## Limit Switches

Limit switches are used for remote position indication with the use of lights or for sequencing of other equipment.



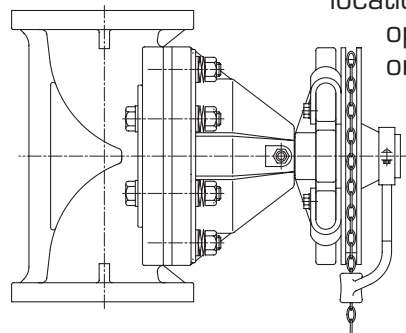
## Locking Handles

To prevent unauthorized operation, the valve handwheel can be pad-locked in the open or closed position.



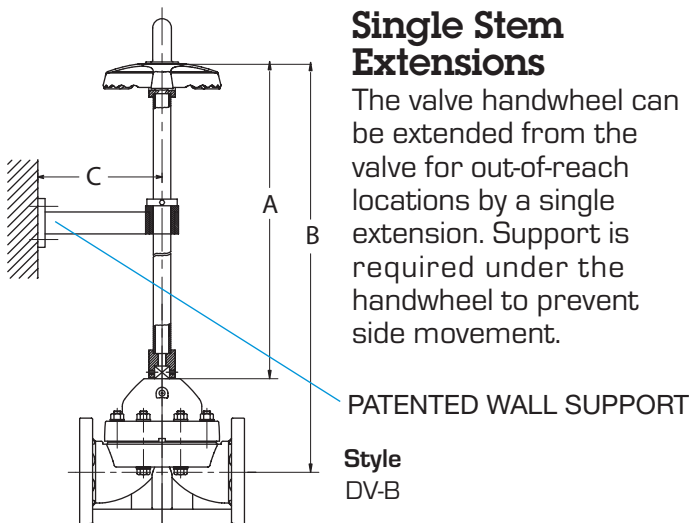
## Chain Operators

Installed on the round handwheel of a valve in overhead, out-of-reach locations. The valve is operated by pulling on the chain.



## Single Stem Extensions

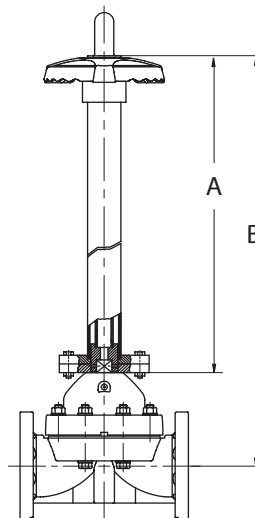
The valve handwheel can be extended from the valve for out-of-reach locations by a single extension. Support is required under the handwheel to prevent side movement.



Style  
DV-B

## Two-Piece Stem and Housing

For buried or submerged applications. A PVC housing surrounds the extended stem for protection from an aggressive environment, or to function as a box.



Style  
DV-A