



Asahi / America Proline System Dimensional Data





Proline System Overview

Asahi/America's Proline Polypropylene Piping System is made of a high molecular weight resin of copolymer or homopolymer polypropylene materials, an isotactic of special strength and low specific gravity. It is 9 times lighter than iron and 36% lighter than hard PVC. It possesses excellent dielectric and insulating properties because of its structure as a non-polar hydrocarbon polymer. Proline combines high chemical resistance with toughness and strength at operating temperature higher than PVC. It has excellent abrasion resistance and good elasticity.

Material Grade for all molded fittings and Pro150 pipe : A pigmented copolymer of propylene and butylene, it contains a stabilizer to help resist the effects of corrosive hot liquids over long periods of time.

Corrosion Resistance: Proline resists most organic and inorganic chemicals. While polypropylene resists many strong and weak acids, alkalies, organic solvents and some aggressive gases, it should not be used with strong oxidizing acids, aromatics and chlorinated hydrocarbons. On the other hand, it is the only thermoplastic having excellent resistance to strong bases. It is finding widespread use in the petrochemical industry because it is well suited for handling sulfur-based compounds, crude oil and gases under low pressure. In the cooling side of the refining process, its corrosion resistance makes it ideal for handling salt water in disposal and cooling line

Temperature Range: Proline is able to withstand continuous operating temperatures ranging from 15 F to 210 F

Impact Strength: Tough at ambient temperature, it retains much of this strength at temperatures as low as 0 F (-20 C). High impact strength lessens the risk of damage during installation, even in cold weather.

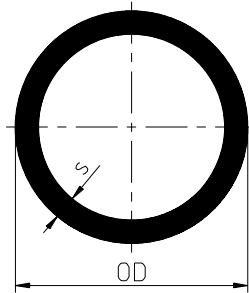
System Specification and Selection: Proline provides the piping engineer with an extremely versatile system that handles a wide variety of service conditions. Dependable molded fittings are available for butt fusion in sizes up to 20"; fabricated fittings are available up to 24" and valves are available from ½" to 24". Proline pipe comes in standard 5 meter (16.4') length, with other lengths optional.

Method of Joining: Proline can be joined using butt fusion, socket fusion, electrofusion or IR fusion..

Product Design/Pressure Rating: All plastic pipe is designed to have a designated pressure rating at a temperature of 73.4 F (23 C) for water. Proline pipe and fittings are inventories in two pressure rated systems, both designed according to a Standard Dimension Ratio and the wall thickness. A consistent SDR will result in a consistent pipe pressure rating through the size range. The Pro 150 is an SDR 11 system rated at 150 psi at ambient. The Pro 45 is an SDR 33 system rated at 45 psi at ambient. The pressure ratings of all thermoplastics are derated at higher temperatures.



Polypropylene Pipe

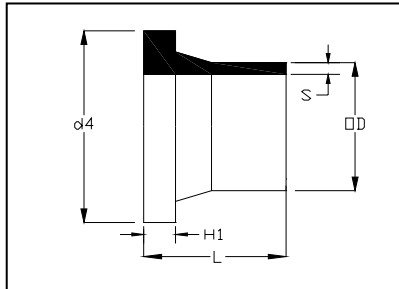


OD		PRO 45 / SDR33			PRO 150 / SDR11		
(mm)	Nominal (inch)	Asahi Part #	s (inch)	Weight (lbs. ft)	Asahi Part#	s (inch)	Weight (lbs. ft)
20	½"	N/A	-	-	5001005	0.098	0.09
25	¾"	N/A	-	-	5001007	0.106	0.13
32	1"	N/A	-	-	5001010	0.114	0.18
40	1¼"	N/A	-	-	5001012	0.146	0.28
50	1½"	N/A	-	-	5001015	0.181	0.43
63	2"	N/A	-	-	5001020	0.228	0.68
75	2½"	N/A	-	-	5001025	0.268	0.94
90	3"	N/A	-	-	5001030	0.323	1.36
110	4"	5103040	0.134	0.75	5001040	0.394	2.02
160	6"	5103060	0.193	1.56	5001060	0.575	4.30
200	8"	5103080	0.244	2.45	5001080	0.717	6.65
250	10"	5103100	0.303	3.81	5001100	0.894	10.42
315	12"	5103120	0.382	6.03	5001120	1.126	16.53
355	14"	5103140	0.429	7.59	5003140	1.268	20.90
400	16"	5103160	0.484	9.68	5003160	1.429	26.54
450	18"	5103180	0.543	12.23	5003180	1.610	33.67
500	20"	5103200	0.602	14.98	5003200	1.787	41.46



**Polypropylene
Stub End
ANSI 150#**

* Requires Backing Ring



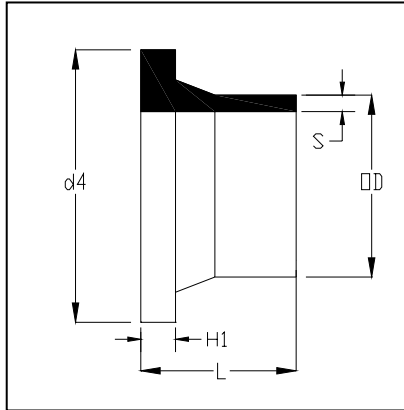
PRO 150 / SDR11						
OD [mm]	[inch]	Asahi Part #	d ₄ (inch)	l (inch)	h ₁ (inch)	Weight (lbs)
20	¾"	5018005	1.77	1.97	0.28	0.04
25	¾"	5018007	2.28	1.97	0.35	0.07
32	1"	5018010	2.68	1.97	0.39	0.09
40	1¼"	5018012	3.07	1.97	0.43	0.13
50	1½"	5018015	3.46	1.97	0.47	0.18
63	2"	5018020	4.02	1.97	0.55	0.27
75	2½"	5018025	4.80	1.97	0.63	0.42
90	3"	5018030	5.43	3.15	0.67	0.68
110	4"	5018040	6.22	3.15	0.71	0.97
160	6"	5018060	8.35	3.15	0.98	2.12
200	8"	5018080	10.55	3.94	1.26	4.42
225	9"	5018090	10.55	3.94	1.26	4.28
250	10"	5018100	12.60	5.12	1.38	7.42
315	12"	5018120	14.57	5.43	1.38	7.94
355	14"	5018140	16.93	4.72	1.57	10.63
400	16"	5018160	18.98	4.72	1.81	16.15
450	18"	5018180	23.03	4.72	2.36	26.90
500	20"	5018200	23.03	4.72	2.36	23.81

*Sizes 5", 7", 9" and 11" are available upon request.
These sizes conform to DIN Standards, not ANSI*



**Polypropylene
Stub End
ANSI 150#**

* Requires Backing Ring

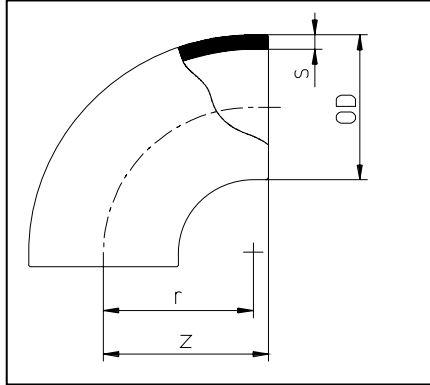


PRO 45 / SDR 33						
OD [mm]	OD [inch]	Asahi Part #	d ₄ (inch)	l (inch)	h ₁ (inch)	Weight (lbs)
110	4"	5120040	6.22	3.15	0.71	0.66
160	6"	5120060	8.35	3.15	0.71	1.19
200	8"	5120080	10.55	3.94	0.71	2.30
250	10"	5120100	12.60	5.12	0.79	3.81
315	12"	5120120	14.57	5.43	0.79	4.59
355	14"	5120140	16.93	4.72	0.91	4.98
400	16"	5120160	18.98	4.72	1.02	8.30
450	18"	5120180	23.03	4.72	1.30	14.04
500	20"	5120200	23.03	4.72	1.30	11.60

*Sizes 5", 7", 9" and 11" are available upon request.
These sizes conform to DIN Standards, not ANSI*



**Polypropylene
90-Elbow**
* Short Radius Style

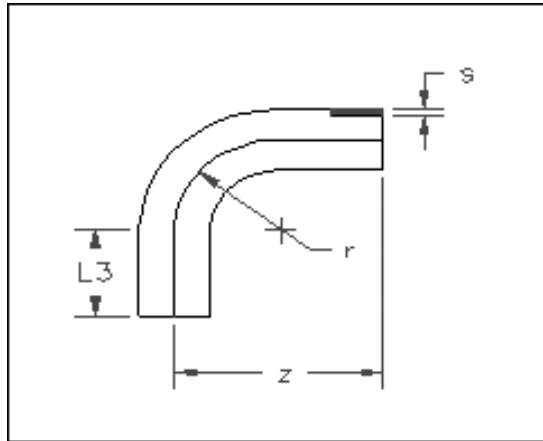


SIZE		PRO 150 / SDR11 *			
OD [mm]	OD [inch]	Asahi Part #	r (inch)	z (inch)	Weight (lbs)
110	4"	N/A	-	-	-
160	6"	N/A	-	-	-
200	8"	N/A	-	-	-
250	10"	5004100	10.05	11.22	16.01
315	12"	5004120	11.82	13.39	30.16
355	14"	5004140	11.82	13.39	38.27
400	16"	5004160	11.82	13.74	49.16
450	18"	5004180	15.76	17.72	78.40
500	20"	5004200	15.76	17.72	98.02
SIZE		PRO 45 / SDR33			
[mm]	[inch]	Asahi Part #	r (inch)	z (inch)	Weight (lbs)
110	4"	5105040	4.33	4.72	0.51
160	6"	5105060	6.10	6.97	1.57
200	8"	5105080	7.76	8.66	3.00
250	10"	5105100	10.43	11.42	6.14
315	12"	5105120	11.81	13.39	10.95
355	14"	5105140	11.81	13.39	14.26
400	16"	5105160	11.81	13.58	18.14
450	18"	5105180	15.75	17.72	31.30
500	20"	5105200	15.75	17.72	37.93

* 1/2"-9" Pro150 (SDR11) Short Radius Elbows were replaced by Pro150 (SDR11) Extended Leg "Multi Bend" fittings in Jan. 2007.



NEW- Polypropylene
Ext-Leg 90-Elbow
 • Long Radius

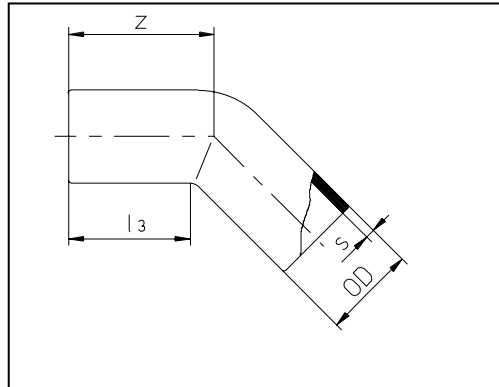


SIZE		PRO 150 SDR11				
OD [mm]	OD [inch]	Asahi Part #	L ₃ (inch)	r (inch)	z (inch)	Weight (lbs)
20	½"	5007005	1.46	.79	2.32	0.02
25	¾"	5007007	1.54	.98	2.62	0.04
32	1"	5007010	1.73	1.26	3.09	0.09
40	1 ¼"	5007012	1.93	1.58	3.60	0.16
50	1 ½"	5007015	2.21	1.97	4.21	0.31
63	2"	5007020	2.52	2.48	5.00	0.55
75	2 ½"	5007025	2.83	2.95	5.83	0.91
90	3"	5007030	2.95	3.54	6.54	1.46
110	4"	5007040	2.95	4.33	7.42	2.43
160	6"	5007060	3.54	6.30	10.02	6.98
200	8"	5007080	4.25	7.87	12.30	12.80

* Replaces Old Style part # 5004(size code)



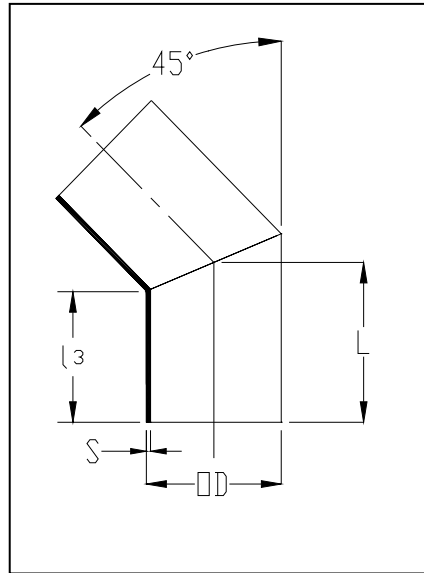
**Polypropylene
45-Elbow
Molded, Ext. Leg Style**



SIZE		PRO 150 SDR11			
OD [mm]	[inch]	Asahi Part #	l ₃ (inch)	Z (inch)	Weight (lbs)
20	1/2"	5008005	1.54	1.73	0.08
25	3/4"	5008007	1.65	1.89	0.04
32	1"	5008010	1.93	2.24	0.07
40	1 1/4"	5008012	2.09	2.48	0.11
50	1 1/2"	5008015	2.24	2.76	0.20
63	2"	5008020	2.52	3.15	0.37
75	2 1/2"	5008025	2.76	3.54	0.60
90	3"	5008030	3.23	4.09	0.95
110	4"	5008040	3.23	4.25	1.46
160	6"	5008060	4.61	6.18	4.32
200	8"	5008080	4.76	6.73	7.50
250	10"	5008100	6.10	8.54	14.90
315	12"	5008120	6.97	10.08	26.46



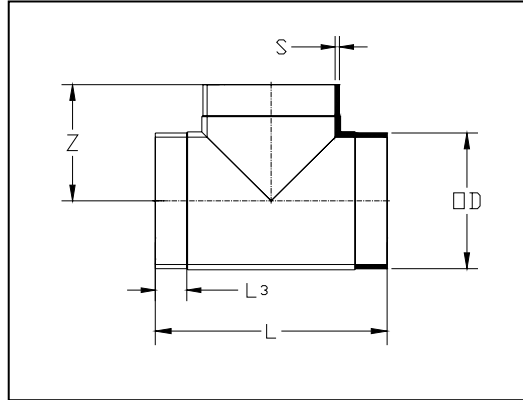
**Polypropylene
PRO45 Segmented
45 degree Elbow**



SIZE		PRO 45 SDR33			
OD [mm]	OD [inch]	Asahi Part #	I ₃ (inch)	L (inch)	Weight (lbs)
110	4"	5153040	4.10	5.00	0.75
160	6"	5153060	4.75	6.00	1.56
200	8"	5153080	4.375	6.00	2.45
250	10"	5153100	4.00	6.00	3.81
315	12"	5153120	5.50	8.00	20.77
355	14"	5153140	7.10	10.00	26.14
400	16"	5153160	8.75	12.00	33.34
SIZE		PRO 150 SDR11			
OD [mm]	OD [inch]	Asahi Part #	I ₃ (inch)	L (inch)	Weight (lbs)
355	14"	5070140	7.10	10.00	40.04
400	16"	5070160	8.75	12.00	51.12



**Polypropylene Tee
Molded**

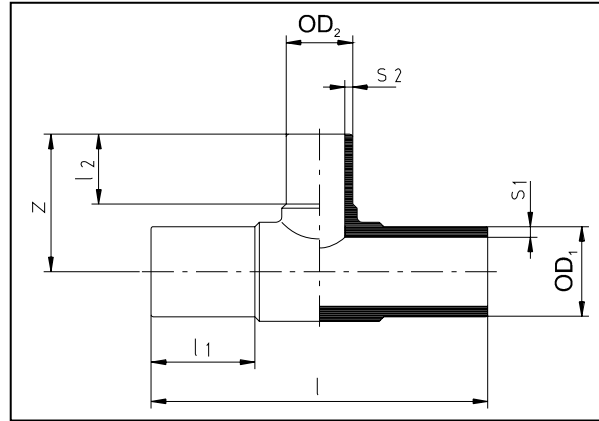


SIZE		PRO 150 SDR11				
OD [mm]	OD [inch]	Asahi Part #	L (inch)	Z (inch)	L ₃ (inch)	Weight (lbs)
20	1/2"	5011005	2.76	1.38	0.55	0.04
25	3/4"	5011007	3.07	1.57	0.55	0.04
32	1"	5011010	3.46	1.81	0.63	0.09
40	1 1/4"	5011012	3.54	1.97	0.59	0.13
50	1 1/2"	5011015	3.94	2.05	0.53	0.24
63	2"	5011020	4.92	2.56	0.59	0.49
75	2 1/2"	5011025	5.79	2.95	0.59	0.86
90	3"	5011030	8.15	4.17	1.50	1.54
110	4"	5011040	9.45	4.72	1.77	2.60
160	6"	5011060	12.40	6.30	2.28	6.61
200	8"	5011080	15.59	7.80	2.36	13.76
250	10"	5011100	18.50	9.25	2.83	23.41
315	12"	5011120	21.26	10.83	3.15	41.71
355	14"	5011140	26.57	13.46	3.94	67.51
400	16"	5011160	26.54	13.27	3.82	84.31
450	18"	5011180	35.43	17.72	5.12	138.89
500	20"	5011200	35.43	17.72	5.12	156.53

SIZE		PRO 45 SDR33				
[mm]	[inch]	Asahi Part #	L (inch)	Z (inch)	L ₃ (inch)	Weight (lbs)
110	4"	5109040	8.46	4.29	1.26	0.99
160	6"	5109060	10.94	5.51	1.77	2.16
200	8"	5109080	13.39	6.69	1.93	6.17
250	10"	5109100	17.24	8.66	2.44	12.35
315	12"	5109120	21.06	10.63	2.87	21.25
355	14"	5109140	26.93	13.46	3.94	35.94
400	16"	5109160	27.36	13.78	3.90	42.24
450	18"	5109180	35.43	17.72	5.12	72.75
500	20"	5109200	35.43	17.72	5.12	74.20



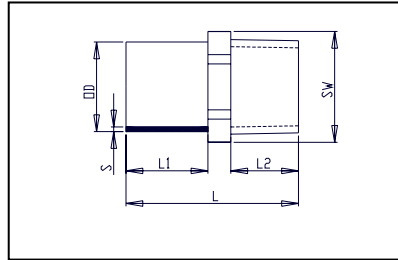
Polypropylene Reducing Tee with Extended Legs



OD ₁ / OD ₂		PRO 150 / SDR11					
[mm]	[inch]	Asahi Part #	l (inch)	z (inch)	l ₁ (inch)	l ₂ (inch)	Weight (lbs)
90/32	3"/1"	5013336	7.99	3.35	2.05	0.91	1.30
90/50	3"/1½"	5013337	7.99	3.66	2.05	1.06	1.32
90/63	3"/2"	5013338	10.71	5.47	3.11	2.52	1.72
110/32	4"/1"	5013401	9.06	3.94	2.56	0.91	2.01
110/50	4"/1½"	5013415	9.06	4.06	2.56	1.06	2.09
110/63	4"/2"	5013420	12.40	6.26	3.43	2.56	2.78
110/90	4"/3"	5013422	12.40	6.10	3.31	3.11	2.82
160/63	6"/2"	5013530	13.66	6.89	3.94	2.64	5.91
160/90	6"/3"	5013531	13.74	7.17	3.98	3.15	6.04
160/110	6"/4"	5013532	15.75	7.91	3.86	3.27	7.28
200/63	8"/2"	5013581	15.28	5.67	5.71	1.26	9.35
200/90	8"/3"	5013582	15.28	6.42	4.92	1.10	9.70
200/110	8"/4"	5013583	15.28	6.30	4.72	1.57	9.66
200/160	8"/6"	5013585	15.28	7.01	3.86	2.09	10.54
250/110	10"/4"	5013626	17.13	7.76	5.28	1.46	17.64
250/160	10"/6"	5013627	17.32	8.39	4.53	2.28	17.15



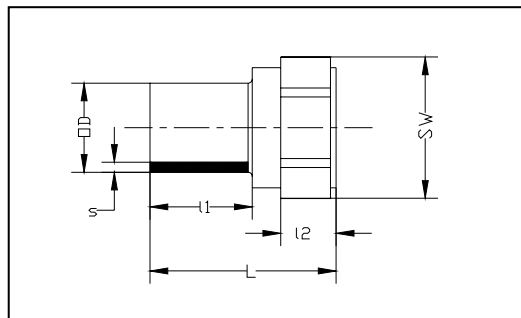
**Polypropylene
Male Adapter**



SIZE		PRO150 SDR11							
[mm]	[inch]	Asahi Part #	S (inch)	L (inch)	L1 (inch)	L2 (inch)	SW (inch)	NPT-Thread [inch]	Weight (lbs/pc)
20	½"	5028005	0.098	1.81	0.75	0.71	0.87	½"	0.02
25	¾"	5028007	0.106	2.01	0.87	0.79	1.06	¾"	0.02
32	1"	5028010	0.114	2.40	1.10	0.94	1.42	1"	0.07
40	1¼"	5028012	0.146	2.60	1.14	1.02	1.81	1¼"	0.09
50	1½"	5028015	0.181	2.91	1.26	1.10	2.17	1½"	0.13
63	2"	5028020	0.228	3.15	1.38	1.22	2.56	2"	0.20
90	3" *	5028030	.323	4.00	1.63	1.63	3.54	3"	0.41
110	4" *	5028040	.394	4.00	1.73	1.73	4.50	4"	0.64

* Indicates Machined part, rated for 5 psi only.

**Polypropylene
Female Adapter**

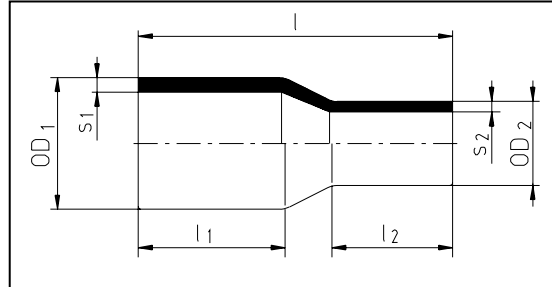


SIZE		PRO150 SDR11							
[mm]	[inch]	Asahi Part #	S (inch)	L (inch)	L1 (inch)	L2 (inch)	SW (inch)	NPT-Thread [inch]	Weight (lbs/pc)
20	½"	5030005	0.098	1.77	0.83	0.63	1.26	½"	0.03
25	¾"	5030007	0.106	1.97	0.98	0.67	1.61	¾"	0.05
32	1"	5030010	0.114	2.28	1.18	0.79	1.81	1"	0.08
40	1¼"	5030012	0.146	2.44	1.18	0.94	2.17	1¼"	0.13
50	1½"	5030015	0.181	2.68	1.34	0.94	2.76	1½"	0.21
63	2"	5030020	0.228	2.95	1.42	1.10	3.35	2"	0.33
90	3" *	5030030	0.323	4.00	1.63	N/A	4.30	3"	0.64
110	4" *	5030040	0.394	4.00	1.73	N/A	5.43	4"	0.81

* Indicates Machined part, rated for 5 psi only.



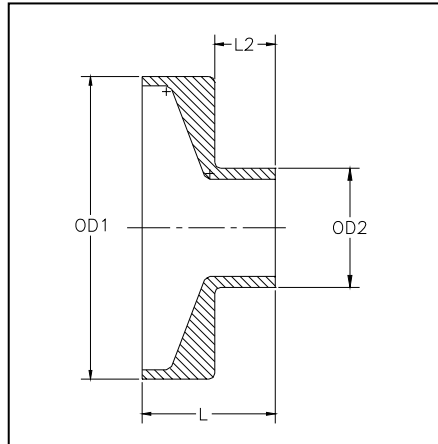
**Polypropylene
Extended Leg
Concentric Reducer**



PRO150 SDR11						
SIZE OD ₁ / OD ₂	Asahi Part #	l ₁ (inch)	l ₂ (inch)	l (inch)	Weight (lbs)	
25 / 20	3/4" / 1/2"	5038101	1.57	1.61	3.43	0.04
32 / 20	1" / 1/2"	5038130	1.73	1.54	3.74	0.04
32 / 25	1" / 3/4"	5038131	1.77	1.57	3.74	0.04
40 / 20	1 1/4" / 1/2"	5038166	1.93	1.54	4.09	0.07
40 / 25	1 3/4" / 3/4"	5038167	1.93	1.61	4.13	0.09
40 / 32	1 1/4" / 1"	5038168	1.93	1.73	4.13	0.09
50 / 25	1 1/2" / 3/4"	5038210	2.24	1.81	4.72	0.13
50 / 32	1 1/2" / 1"	5038211	2.32	1.81	4.80	0.13
50 / 40	1 1/2" / 1 1/4"	5038212	2.24	1.93	4.96	0.15
63 / 32	2" / 1"	5038249	2.52	1.93	5.35	0.20
63 / 40	2" / 1 1/4"	5038250	2.32	1.97	5.08	0.23
63 / 50	2" / 1 1/2"	5038251	2.60	2.32	5.94	0.29
75 / 50	2 1/2" / 1 1/2"	5038291	2.52	2.28	5.83	0.35
75 / 63	2 1/2" / 2"	5038292	2.56	2.44	5.87	0.41
90 / 63	3" / 2"	5038338	2.83	2.48	6.26	0.58
90 / 75	3" / 2 1/2"	5038339	2.95	2.56	6.42	0.63
110 / 63	4" / 2"	5038420	3.27	2.44	7.13	0.88
110 / 90	4" / 3"	5038422	3.27	2.91	7.05	1.03
160 / 90	6" / 3"	5038531	4.06	2.91	8.54	2.25
160 / 110	6" / 4"	5038532	3.86	3.46	8.86	2.51
200 / 160	8" / 6"	5038585	4.13	4.09	9.92	4.72



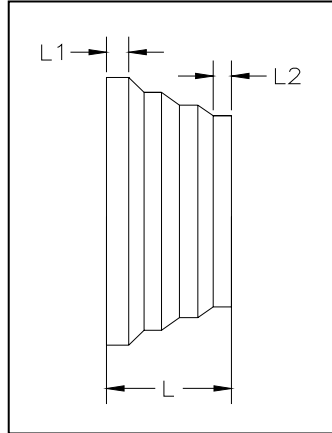
**Polypropylene
Machined Concentric
Reducer**



SIZE	PRO150 SDR11	PRO45 SDR33	PRO45/150 SDR33/11	DIMENSIONS				
				Asahi Part #	Asahi Part #	Asahi Part #	OD1 (inch)	OD2 (inch)
6/2	5032530	N/A	N/A		6.30	2.48	3.00	1.00
6/3	5032531	N/A	N/A		6.30	3.54	3.00	1.00
6/4	5032532	5115532	C.F.		6.30	4.33	3.00	1.00
8/2	5032581	N/A	N/A		7.87	2.48	3.00	1.00
8/3	5032582	N/A	N/A		7.87	3.54	3.00	1.00
8/4	5032583	5115583	C.F.		7.87	4.33	3.00	1.00
8/6	5032585	5115585	C.F.		7.87	6.30	3.00	1.00
10/2	5032624	N/A	N/A		9.84	2.48	3.00	1.00
10/3	5032625	N/A	N/A		9.84	3.54	3.00	1.00
10/4	5032626	5115626	C.F.		9.84	4.33	3.00	1.00
10/6	5032627	5115627	C.F.		9.84	6.30	3.00	1.00
10/8	5032628	5115628	C.F.		9.84	7.87	3.00	1.00
12/2	5032656	N/A	N/A		12.40	2.48	3.50	1.25
12/3	5032657	N/A	N/A		12.40	3.54	3.50	1.25
12/4	5032658	5115658	C.F.		12.40	4.33	3.50	1.25
12/6	5032659	5115659	C.F.		12.40	6.30	3.50	1.25
12/8	5032660	5115660	C.F.		12.40	7.87	3.50	1.25
12/10	5032673	5115673	C.F.		12.40	9.84	3.50	1.25



**Polypropylene
Molded Stepped
Concentric Reducer**

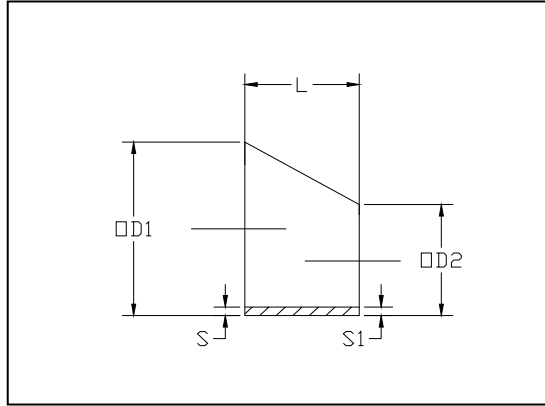


SIZE		PRO45 SDR33				
[mm]	[inch]	Asahi Part #	L (inch)	L ₁ (inch)	L ₂ (inch)	Weight (lbs)
110 / 63	4" x 2"	5116420	2.48	0.39	0.28	0.13
160 / 110	6" x 4"	5116532	3.31	0.51	0.51	0.35
225 / 160	9" x 6"	5116606	3.70	0.71	0.55	0.86
315 / 225	12" x 9"	5116670	5.31	0.98	0.79	2.29
450 / 315	18" x 12"	5116711	6.38	1.10	0.71	6.97
630 / 450	24" x 18"	5116742	7.40	1.18	0.79	14.55

SIZE		PRO150 SDR11				
[mm]	[inch]	Asahi Part #	L (inch)	L ₁ (inch)	L ₂ (inch)	Weight (lbs)
63 / 16	2" x 3/8"	5035247	2.13	0.31	0.16	0.09
110 / 63	4" x 2"	5035420	2.48	0.39	0.28	0.31
160 / 110	6" x 4"	5035532	3.31	0.51	0.51	0.99
225 / 160	9" x 6"	5035606	3.70	0.71	0.55	2.12
315 / 225	12" x 9"	5035670	5.31	0.98	0.79	5.56
450 / 315	18" x 12"	5035711	6.38	1.10	0.71	16.77



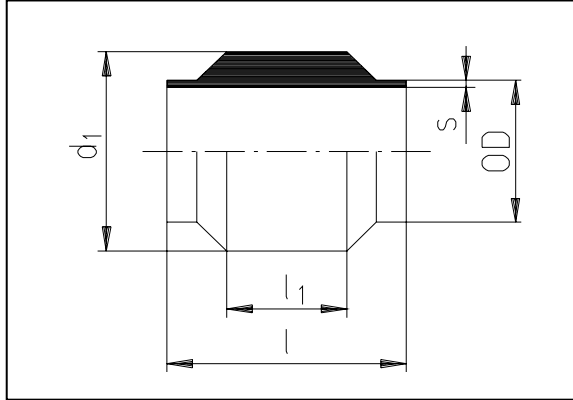
**Polypropylene
Molded Short
Eccentric Reducer**



SIZE		PRO45 SDR33				
[mm]	[inch]	Asahi Part #	L (inch)	OD ₁ (inch)	OD ₂ (inch)	Weight (lbs)
250 / 160	10" x 6"	5113627	6.10	9.84	6.30	1.43
355 / 250	14" x 10"	5113632	5.31	13.98	9.84	4.50
SIZE		PRO150 SDR11				
[mm]	[inch]	Asahi Part #	L (inch)	OD ₁ (inch)	OD ₂ (inch)	Weight (lbs)
160 / 110	6" x 4"	5033532	3.54	6.30	4.33	0.62
250 / 160	10" x 6"	5033627	6.10	9.84	6.30	3.80
355 / 250	14" x 10"	5033632	5.31	13.98	9.84	10.24



**Polypropylene
Machined Instrumentation
Fitting**

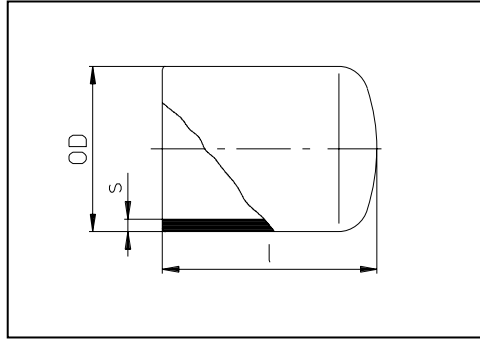


OD		DIMENSIONS			PRO45 SDR 33			PRO150 SDR 11		
[mm]	[inch]	d ₁ (inch)	l (inch)	l ₁ (inch)	Asahi Part #	s (inch)	Weight (lbs)	Asahi Part #	s (inch)	Weight (lbs)
20	½"	1.90	7.00	2.50	N/A	-	-	5058005	0.098	1.76
25	¾"	2.36	7.00	3.00	N/A	-	-	5058007	0.228	2.58
32	1"	2.65	7.00	3.00	N/A	-	-	5058010	0.114	2.72
63	2"	3.06	7.00	3.00	N/A	-	-	5058020	0.228	3.36
90	3"	3.30	7.00	3.00	N/A	-	-	5058030	0.323	4.64
110	4"	4.48	7.00	3.00	5124040	0.134	5.84	5058040	0.394	6.08
160	6"	5.00	7.00	3.00	5124060	0.193	7.01	5058060	0.575	7.30

-All Instrumentation Fitting are available with single or multiple threaded tap configurations to accommodate sampling and monitoring valves and probes. Consult factory for thread size limitations.



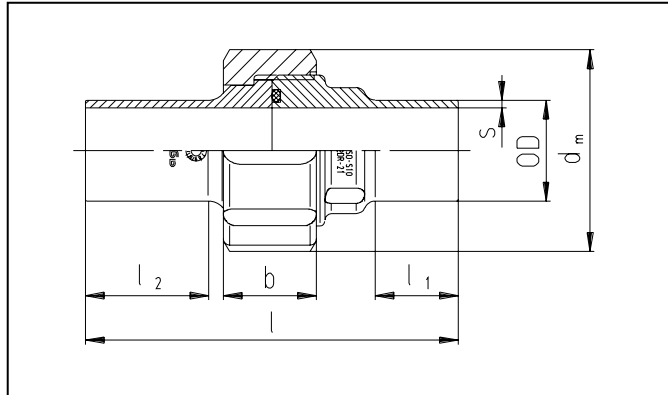
**Polypropylene
Molded Ext. Leg
End Cap**



PRO150 SDR11				
SIZE		Asahi Part #	L (inch)	Weight (lbs/pc.)
[mm]	[inch]			
20	1/2"	5021005	1.85	0.02
25	3/4"	5021007	1.89	0.03
32	1"	5021010	2.17	0.04
40	1 1/4"	5021012	2.52	0.07
50	1 1/2"	5021015	2.87	0.13
63	2"	5021020	3.31	0.21
75	2 1/2"	5021025	3.66	0.33
90	3"	5021030	4.21	0.57
110	4"	5021040	4.92	0.97
160	6"	5021060	6.10	2.34
200	8"	5021080	7.17	4.56
250	10"	5021100	9.06	8.64
315	12"	5021120	10.31	15.87



**Polypropylene
Type G Union**

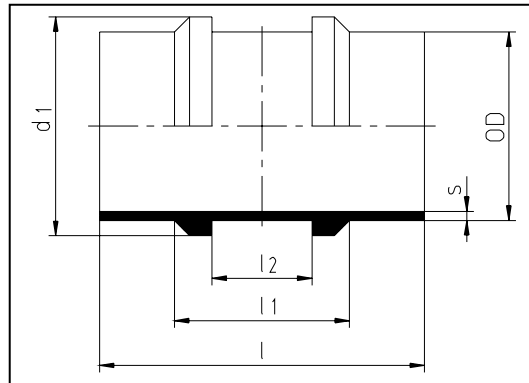


PRO 150 SDR 11							Asahi Part #	Asahi Part #	Weight (lbs/pc.)
OD		s	l	l ₁	d _m	b	with EPDM O-Ring	with Viton O-Ring	
[mm]	[inch]	(inch)	(inch)	(inch)	(inch)	(inch)			
20	½"	0.098	4.25	0.94	1.85	0.94	5015005	5017005	0.21
25	¾"	0.106	4.49	0.94	2.24	1.02	5015007	5017007	0.27
32	1"	0.114	4.72	0.98	2.52	1.18	5015010	5017010	0.32
40	1¼"	0.146	4.96	0.98	3.07	1.22	5015012	5017012	0.43
50	1½"	0.181	5.20	0.98	3.50	1.38	5015015	5017015	0.66
63	2"	0.228	5.43	0.98	4.29	1.54	5015020	5017020	0.89

Type G Unions with EPDM or PTFE/Viton O-Rings are optional. Consult Factory for availability. Unions are provided with Universal Thread compatible with Purad PVDF Unions, Signet Instrumentation Fittings and Competitive Unions



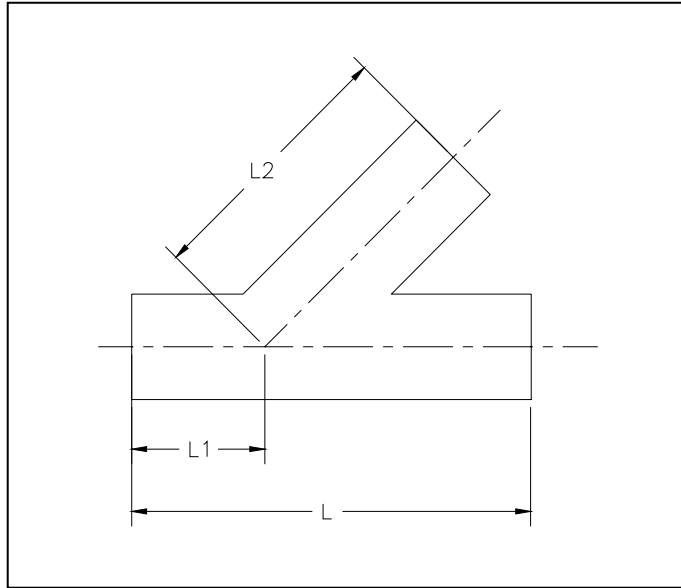
**Polypropylene
Restraint Fitting**



PRO150 SDR11							
SIZE (mm) (inch)	Asahi Part #	d ₁ (inch)	L (inch)	L ₁ (inch)	L ₂ (inch)	Weight (lbs)	
20 1/2"	5059005	1.10	3.70	2.09	1.28	0.88	
25 3/4"	5059007	1.30	3.70	2.09	1.28	1.25	
32 1"	5059010	1.57	3.70	2.09	1.28	1.32	
40 1 1/4"	5059012	1.89	3.70	2.09	1.28	1.43	
50 1 1/2"	5059015	2.28	4.50	2.09	1.28	1.76	
63 2"	5059020	2.80	4.50	1.97	1.20	1.98	
90 3"	5059030	4.13	5.00	2.76	1.57	3.09	
110 4"	5059040	5.00	5.00	2.76	2.38	4.72	



**Polypropylene
Fabricated *
Laterals**

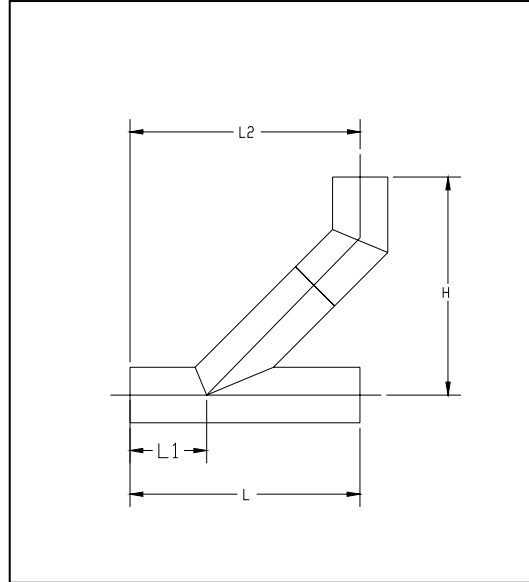


SIZE		PRO45 SDR33				PRO150 SDR11			
[mm]	[inch]	Asahi Part #	L (inch)	L ₁ (inch)	L ₂ (inch)	Asahi Part #	L ₁ (inch)	L ₂ (inch)	L (inch)
50	1 ½"	N/A	-	-	-	5051015	6	12	18
63	2"	N/A	-	-	-	5051020	6	12	18
75	2 ½"	N/A	-	-	-	5051025	6	12	18
90	3"	N/A	-	-	-	5051030	6	12	18
110	4"	5128040	18	6	12	5051040	6	12	18
160	6"	5128060	24	8	16	5051060	8	16	24
200	8"	5128080	30	10	20	5051080	10	20	30
250	10"	5128100	36	12	24	5051100	12	24	36
315	12"	5128120	42	14	28	5051120	14	28	42
355	14"	5128140	48	16	32	5051140	16	32	48
400	16"	5128160	54	18	36	5051160	18	36	54

- Fabricated Fittings are rated for drainage application pressures. Elevated pressures (20', 30' or 40' of head pressure, for example) can be approved in advance, but need to be approved by factory in advance.



**Polypropylene
Fabricated *
LATERALS w/
1/8 Bend**

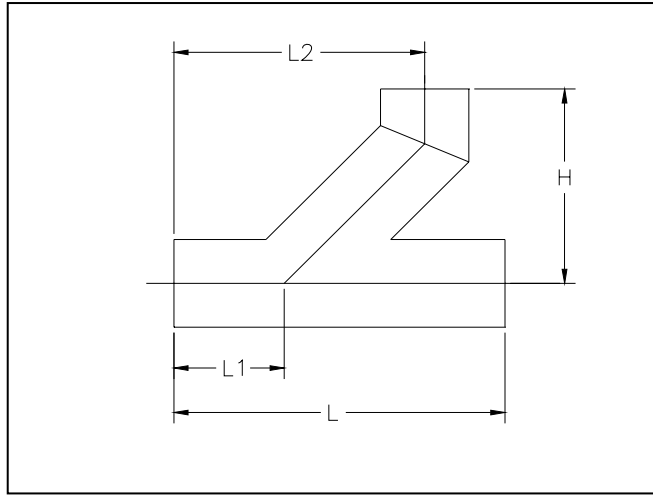


SIZE		PRO45 SDR33					PRO150 SDR11				
[mm]	[inch]	Asahi Part #	L (inch)	L ₁ (inch)	L ₂ (inch)	H (inch)	Asahi Part #	L (inch)	L ₁ (inch)	L ₂ (inch)	H (inch)
50	1 ½"	N/A	-	-	-	-	5062015	18	6	16.25	13
63	2"	N/A	-	-	-	-	5062020	18	6	16.5	13.5
75	2 ½"	N/A	-	-	-	-	5062025	18	6	16.75	14.25
90	3"	N/A	-	-	-	-	5062030	18	6	17.25	15.25
110	4"	5137040	18	6	18	17	5062040	18	6	17.25	15.5
160	6"	5137060	24	8	23.5	21.5	5062060	24	8	23.5	21.75
200	8"	5137080	30	10	28.25	24.25	5062080	30	10	28.5	25.5
250	10"	5137100	36	12	33	27	5062100	36	12	34.75	31.25
315	12"	5137120	42	14	39.25	33.25	5062120	42	14	39.25	33.25
355	14"	5137140	48	16	45.5	39.5	5062140	48	16	45.5	39.5
400	16"	5128160	54	18	51.75	45.75	5062160	54	18	51.75	45.75

- Fabricated Fittings are rated for drainage application pressures. Elevated pressures (20', 30' or 40' of head pressure, for example) can be approved in advance, but need to be approved by factory in advance.



**Polypropylene
Fabricated *
Sanitary Tee**

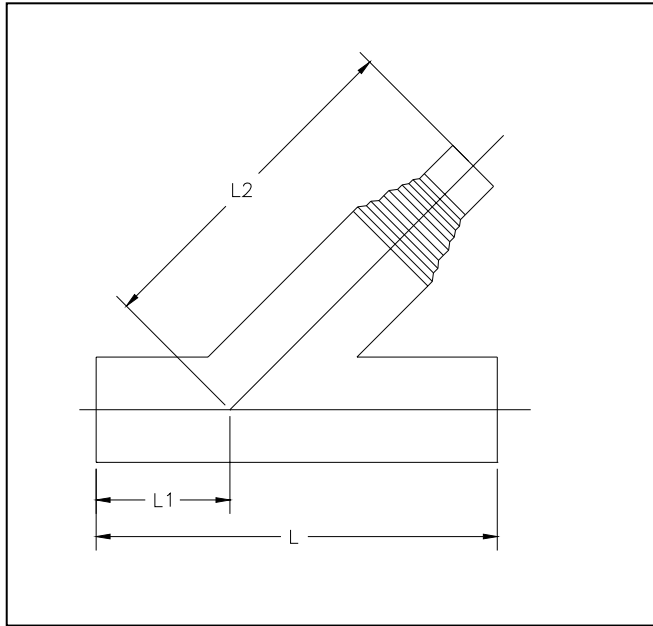


SIZE		PRO45 SDR33					PRO150 SDR11				
[mm]	[inch]	Asahi Part #	L (inch)	L ₁ (inch)	L ₂ (inch)	H (inch)	Asahi Part #	L (inch)	L ₁ (inch)	L ₂ (inch)	H (inch)
63	2"	N/A	-	-	-	-	5057020	18	6	12	9
90	3"	N/A	-	-	-	-	5057030	18	6	12	9
110	4"	5133040	18	6	12	9	5057040	18	6	12	9
160	6"	5133060	24	8	16	12.5	5057060	24	8	16	12.5
200	8"	5133080	30	10	20	15.5	5057080	30	10	20	15.5
250	10"	5133100	36	12	24	18.5	5057100	36	12	24	18.5
315	12"	5133120	42	14	28	21.75	5057120	42	14	28	21.75
355	14"	5133140	48	16	32	24.25	5057140	48	16	32	24.25
400	16"	5133160	54	18	36	28	5057160	54	18	36	28

- Fabricated Fittings are rated for drainage application pressures. Elevated pressures (20', 30' or 40' of head pressure, for example) can be approved in advance, but need to be approved by factory in advance.



**Polypropylene Fabricated *
Reducing Laterals**

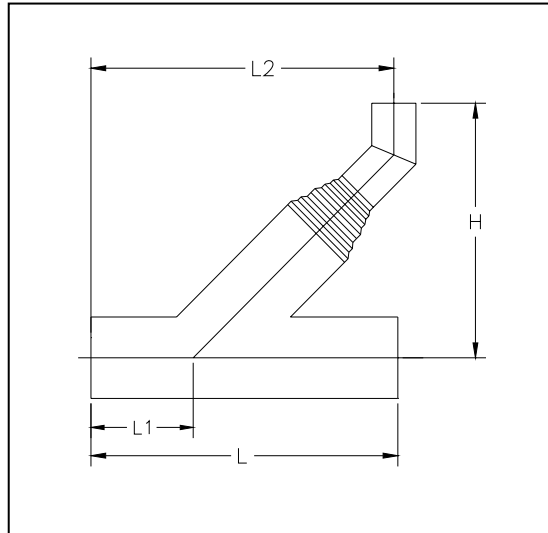


SIZE		PRO45 SDR33				PRO150 SDR33			
[mm]	[inch]	Asahi Part #	L (inch)	L ₁ (inch)	L ₂ (inch)	Asahi Part #	L (inch)	L ₁ (inch)	L ₂ (inch)
90x63	3"x2"	N/A	-	-	-	5054338	18	6	16
110x63	4"x2"	N/A	-	-	-	5054420	18	6	17
110x90	4"x3"	N/A	-	-	-	5054422	18	6	17
160x90	6"x3"	N/A	-	-	-	5054531	24	8	22
160x110	6"x4"	5130532	24	8	22	5054532	24	8	22
200x110	8"x4"	5130583	30	10	23	5054583	30	10	27
200x160	8"x6"	5130585	30	10	22.5	5054585	30	10	27
250x110	10"x4"	5130626	36	12	33	5054626	36	12	33
250x160	10"x6"	5130627	36	12	30	5054627	36	12	30
250x200	10"x8"	5130628	36	12	28	5054628	36	12	28
315x160	12"x6"	5130659	42	14	37	5054659	42	14	37
315x200	12"x8"	5130660	42	14	35	5054660	42	14	35

- Fabricated Fittings are rated for drainage application pressures. Elevated pressures (20', 30' or 40' of head pressure, for example) can be approved in advance, but need to be approved by factory in advance.



**Polypropylene
Fabricated * Reducing
Lateral w/1/8 Bend**

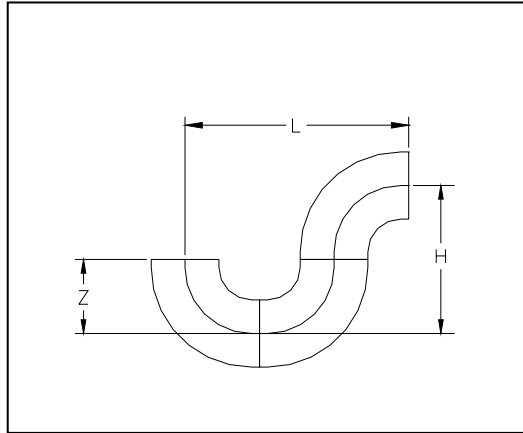


SIZE		PRO45 SDR33					PRO150 SDR11				
[mm]	[inch]	Asahi Part #	L (inch)	L ₁ (inch)	L ₂ (inch)	H (inch)	Asahi Part #	L (inch)	L ₁ (inch)	L ₂ (inch)	H (inch)
90x63	3"x2"	N/A	-	-	-	-	5056338	18	6	16	16.5
110x63	4"x2"	N/A	-	-	-	-	5056420	18	6	17	17.5
110x90	4"x3"	N/A	-	-	-	-	5056422	18	6	17	19
160x90	6"x3"	N/A	-	-	-	-	5056531	24	8	22	22.5
160x110	6"x4"	5122532	24	8	22	21.5	5056532	24	8	22	23
200x110	8"x4"	5122583	30	10	23	22.5	5056583	30	10	27	23.5
200x160	8"x6"	5122585	30	10	22.5	24	5056585	30	10	27	29.5
250x110	10"x4"	5122626	36	12	33	29.5	5056626	36	12	33	28.5
250x160	10"x6"	5122627	36	12	30	29	5056627	36	12	30	29.5
250x200	10"x8"	5122628	36	12	28	27.5	5056628	36	12	28	29
315x160	12"x6"	5122659	42	14	37	34	5056659	42	14	37	34.5
315x200	12"x8"	5122660	42	14	35	32.5	5056660	42	14	35	34

- Fabricated Fittings are rated for drainage application pressures. Elevated pressures (20', 30' or 40' of head pressure, for example) can be approved in advance, but need to be approved by factory in advance.



**Polypropylene
P-TRAP**

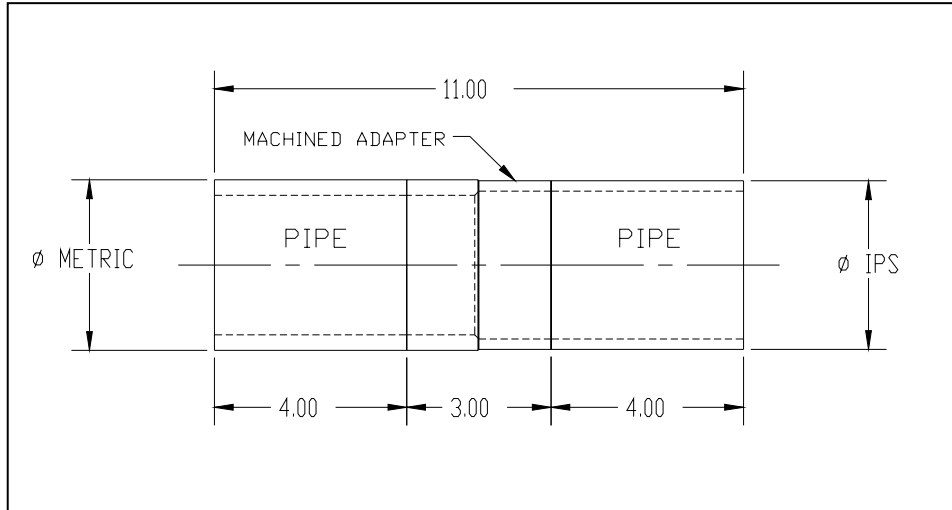


Size (inch)	PRO45 SDR33				PRO150 SDR11			
	Asahi Part #	L (inch)	Z (inch)	H (inch)	Asahi Part #	L (inch)	Z (inch)	H (inch)
1-1/2	N/A	-	-	-	5064338	8.75	4-1/4	8.125
2	N/A	-	-	-	5064420	10.75	5.00	9.75
2-1/2	N/A	-	-	-	5064422	12.5	5-7/8	11.375
3	N/A	-	-	-	5064531	14.5	6-1/2	12.875
4	5139532	14	4.75	11.25	5064532	17.125	7-3/8	14.5
6	5139583	20.5	6.875	16.75	5064583	24	10	19.75
8	5139585	25.75	8.625	21	5064585	28.75	12-1/4	24.25
10	5139626	34	11.375	27.5	5064626	33.375	11-1/4	22.25
12	5139627	39.75	13.375	32.75	5064627	39.75	13-3/8	26.5

*NOTE: PRO150 P-TRAPS SIZES 1-1/2" THRU 8"
DIM'S REFLECT NEW STYLE 90'S (5007 P/N)*



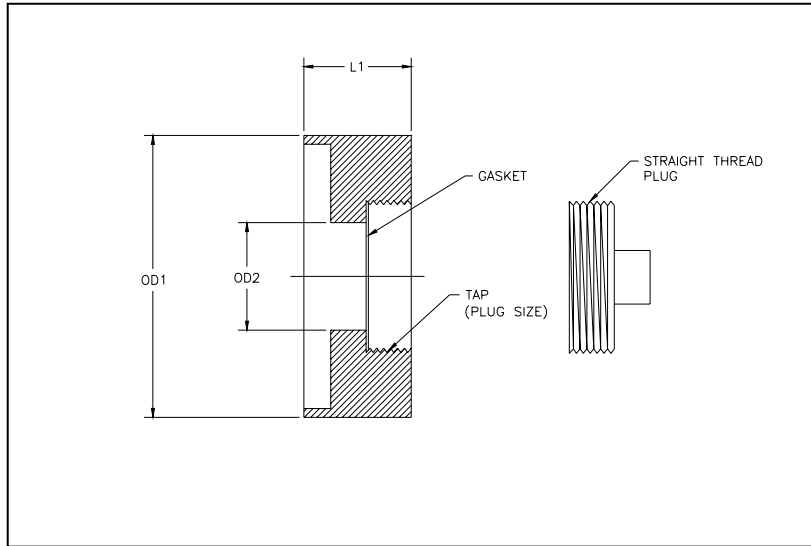
**Polypropylene
Machined – Butt Fusion
PROLINE X IPS ADAPTERS**



Size [feet]	Asahi Part #	Description
1-1/2'	5067015	1-1/2" Pro150 x 1-1/2" IPS SCH40/80 Adapter
2'	5067020	2" Pro150 x 2" IPS SCH40/80 Adapter
3'	5067030	3" Pro150 x 3" IPS SCH40/80 Adapter
4'	5067040	4" Pro150 x 4" IPS SCH40/80 Adapter
6'	5067060	6" Pro150 x 6" IPS SCH40/80 Adapter
Pro45		
4'	5142040	4" Pro45 x 4" IPS SCH40/80 Adapter
6'	5142060	6" Pro45 x 6" IPS SCH40/80 Adapter



**Polypropylene
CLEANOUT W/ PLUG**

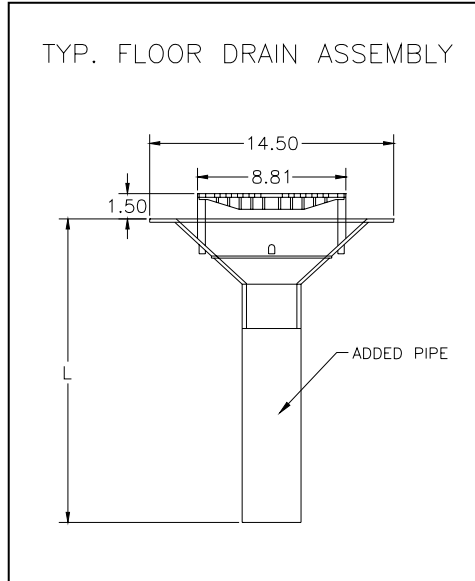


SIZE		Asahi Part #	Asahi Part #	OD1	OD2	L1	L2	TAP DEPTH
(mm)	(inch)	PRO45	PRO150	(IN.)	(IN.)	(IN.)	(IN.)	(IN.)
110	4	5148040	5066040	4.33	2.00	3.00	0.63	1.12
160	6	5145060	5066060	6.30	3.00	3.00	0.63	1.26
200	8	5148080	5066080	7.87	3.00	3.00	0.63	1.26
250	10	5145100	5066100	9.84	5.00	3.00	0.63	1.52
315	12	5148120	5066120	12.40	5.00	3.00	0.63	1.52

NOTE: 3" AND UNDER USE A FEMALE ADAPTOR WITH THREADED PLUG NPT. ALL CLEANOUTS ARE PRESSURE RATED FOR 5PSI (DRAINAGE).



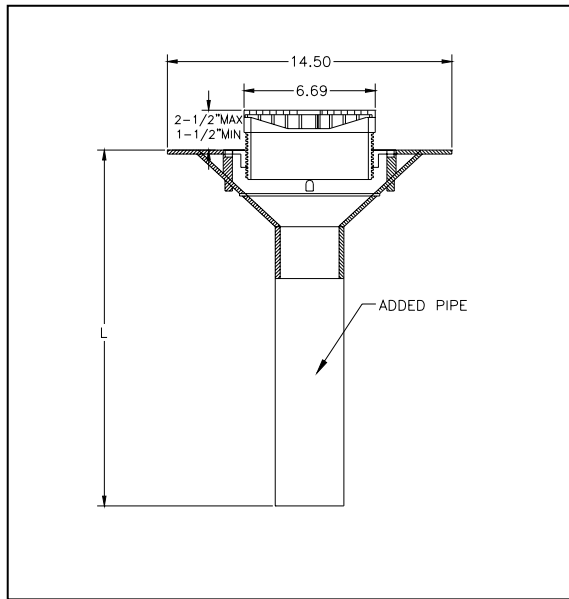
**Polypropylene
Non-Adjustable
Floor Drain**



[mm]	[inch]	Asahi Part # PRO45	Asahi Part # PRO150	L (inch)
63	2"	N/A	5268020	18
90	3"	N/A	5268030	18
110	4"	5362040	5268040	18
160	6"	5362060	5268060	18



**Polypropylene
Adjustable
Floor Drain**



[mm]	[inch]	Asahi Part # PRO45	Asahi Part # PRO150	L (inch)
63	2"	N/A	5266020	18
90	3"	N/A	5266030	18
110	4"	5360040	5266040	18
160	6"	5360060	5266060	18



35 Green Street, PO Box 653, Malden, MA 02148
Tel: (781) 321-5409 - Fax (781) 321-4421 - Toll Free: (800) 343-3618
www.asahi-america.com - asahi@asahi-america.com
Direct Sales: East (800) 232-7244 / Central (800) 442-7244 / West (800) 282-7244